



TRITON
DUSCHTECHNOLOGIE BY FLEXOTEC

TECHNICAL INFO

VERSION 1.00
12.04.24

INDEX

410001 Angle Bracket Glass-Wall 90° mounted outside	Page 4
410002 Angle Bracket Glass-Wall 90° mounted inside	Page 5
410005 Angle Bracket Glass-Glass 90	Page 6
410006 Angle Bracket Glass-Glass 135°	Page 7
410009 Bracket Glass-Glass 180°	Page 8
412001 Lift'n-Sink Hinge Glass-Wall 90° left	Page 10
412003 Lift'n-Sink Hinge Glass-Glass 180° left	Page 11
412004 Lift'n-Sink Hinge Glass-Wall 90° right	Page 12
412006 Lift'n-Sink Hinge Glass-Glass 180° right	Page 13

TECHNICAL ADVICES

Usage

Triton shower fittings are designed for 6-8 mm toughened safety glass (ESG). Triton shower fittings are not suitable for swimming pools, saunas or steam rooms!

Installation

All shower door hinges and angle connectors must be installed horizontally and plumb.

The maximum load-bearing capacity of 20 kg per shower door hinge (40 kg for two hinges) must not be exceeded.

Ensure load-bearing, level masonry.

Screw tightening torque for glass connection: max. 8.0 Nm.

Installation should only be carried out by qualified specialists.

We don't accept any liability for the installation.

Fixing Material

A load-bearing substrate is a prerequisite.

Screws and dowels should be adapted to the structural situation.

We recommend countersunk screws 6 x 60 mm made of A2 or A4 stainless steel with suitable dowels.

Door Seals

Triton Shower Fittings basically require installation using Door Seals. Corresponding

Notes/recommendations can be found on the individual data sheets.

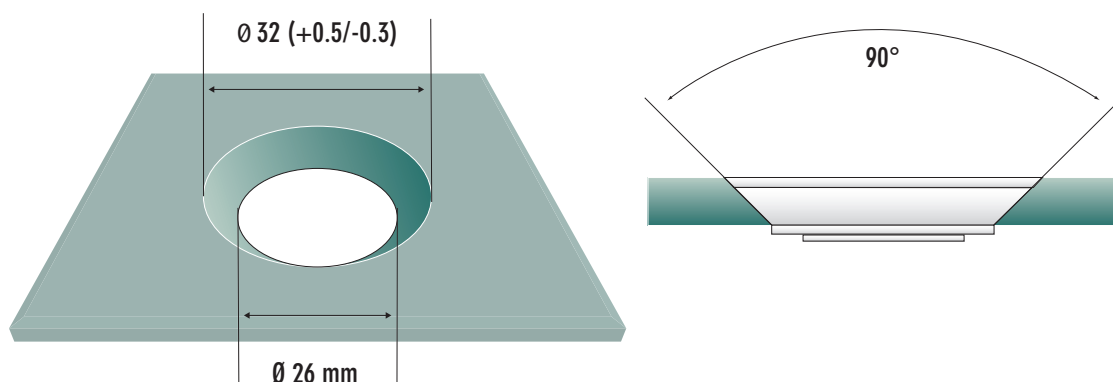
Maintenance Advises

Sharp, aggressive or abrasive cleaning agents (e.g. alkaline, chlorine-containing, acidic, solvent-containing, steel wool etc.) must not be used.

Sink hole

The dimensions given are recommendations for the optimum incorporation of the cone into the glass.

Dimensions valid for all shower door hinges (unless otherwise stated):



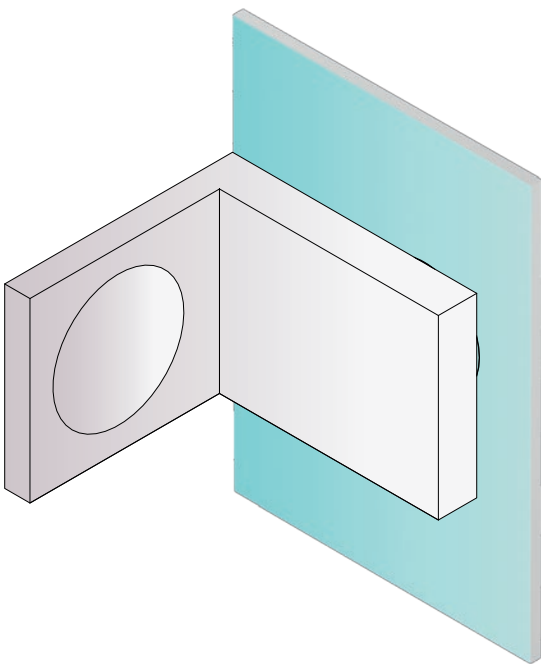
410001 | Angle Bracket Glass-Wall 90° mounted outside



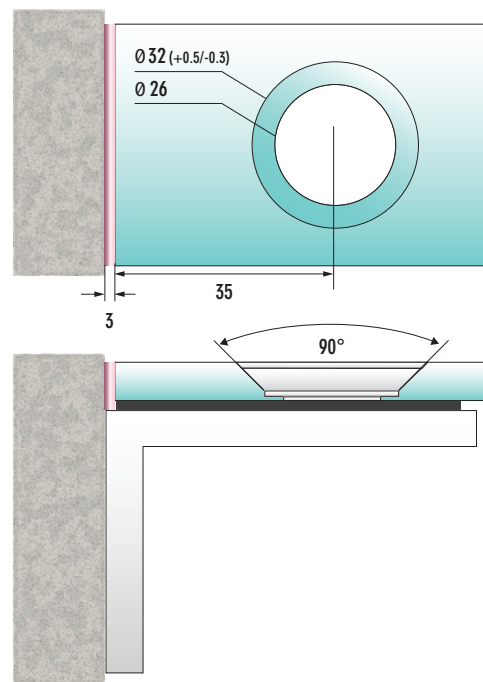
DESCRIPTION:

Angle connector for wall mounting outside.
Screw fitting in slotted hole with cover.
Flush glass fixing with concealed screw connection.

| Usage (without Gap)

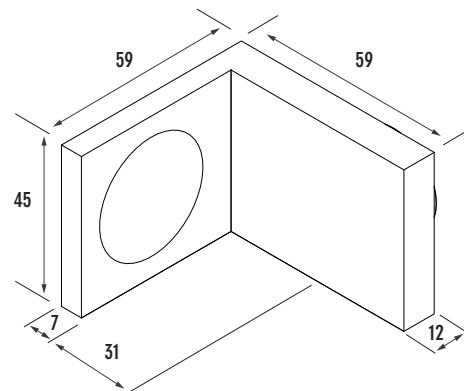


| GLASS PROCESSING (DEDUCTION)



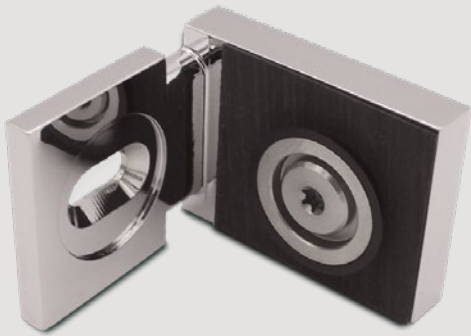
| Technical Data:

Glasstyp:	8 mm ESG
Material:	Solid Brass
Usage:	left/right
Adjustability in the cone:	± 1.5 mm
Adjustability in slotted hole:	± 5.0 mm



410002 | Angle Bracket Glass-Wall 90° mounted inside

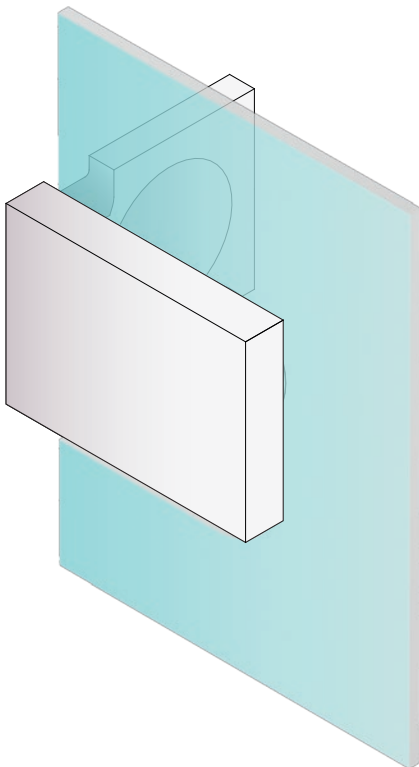
STANDARD



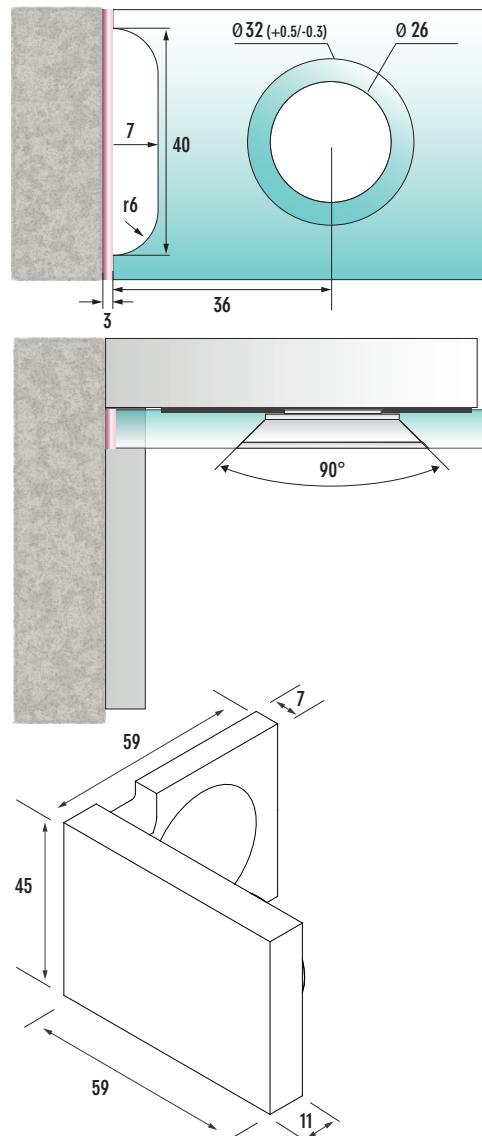
DESCRIPTION:

Angle connector for wall mounting inside.
Screw fitting in slotted hole with cover.
Flush glass fixing with concealed screw connection.

| Usage (without Gap)



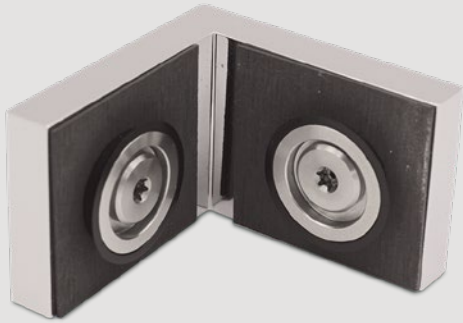
| GLASS PROCESSING (DEDUCTION)



| Technical Data:

Glasstype:	8 mm ESG
Material:	Solid Brass
Usage:	left/right
Adjustability in the cone:	± 1.5mm
Adjustability in slotted hole:	± 5.0mm

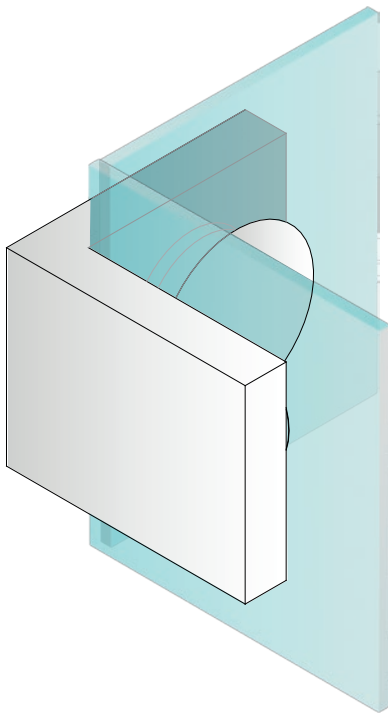
410005 | Angle Bracket Glass-Glass 90°



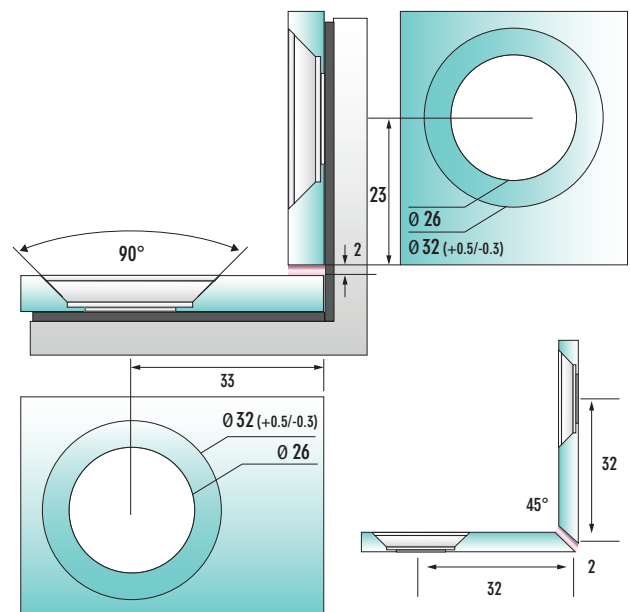
DESCRIPTION:

Angle connector glass-glass 90°.
Flush glass fastening with concealed
concealed screw connection.

| Usage (without Gap)

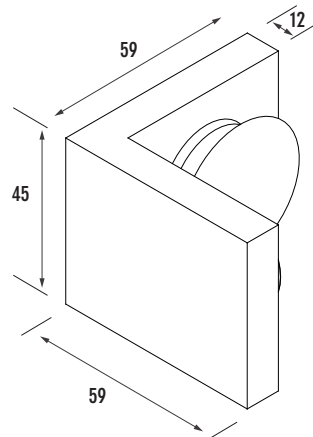


| GLASS PROCESSING (DEDUCTION)



| Technical Data:

Glasstyp:	8 mm ESG
Material:	Solid Brass
Usage:	left/right
Adjustability in the cone:	± 1.5 mm



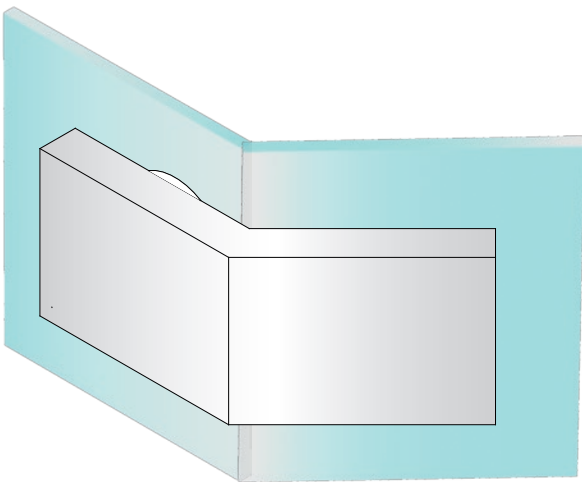
410006 | Angle Bracket Glass-Glass 135°



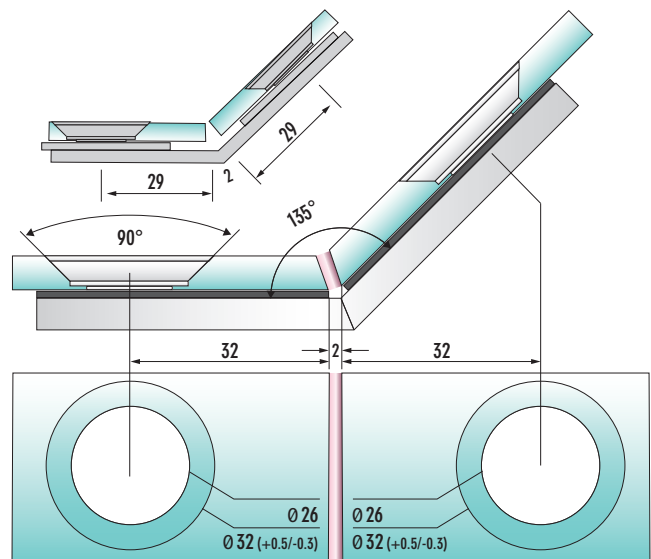
DESCRIPTION:

Angle connector glass-glass 135°.
Flush glass fastening with concealed
concealed screw connection.

| Usage (without Gap)

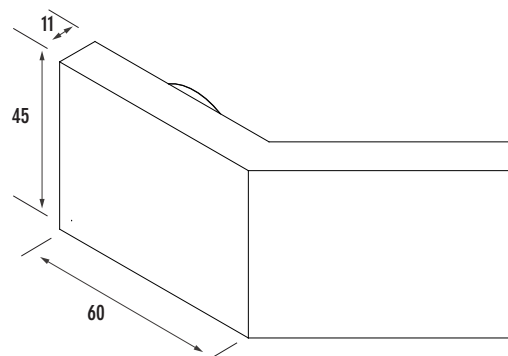


| GLASS PROCESSING (DEDUCTION)



| Technical Data:

Glasstyp:	8 mm ESG
Material:	Solid Brass
Usage:	left/right
Adjustability in the cone:	± 1.5 mm



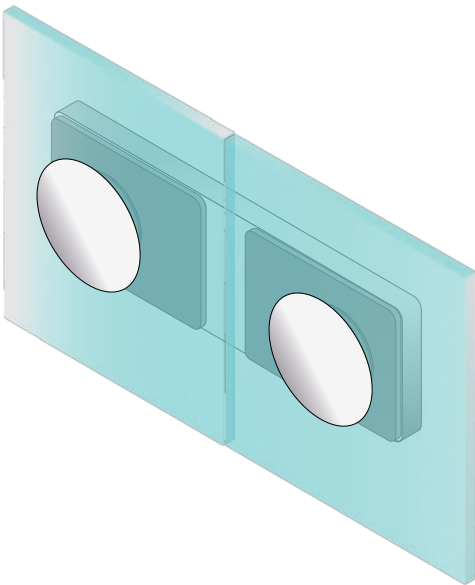
410009 | Bracket Glass-Glass 180°



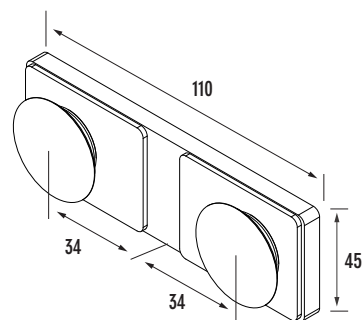
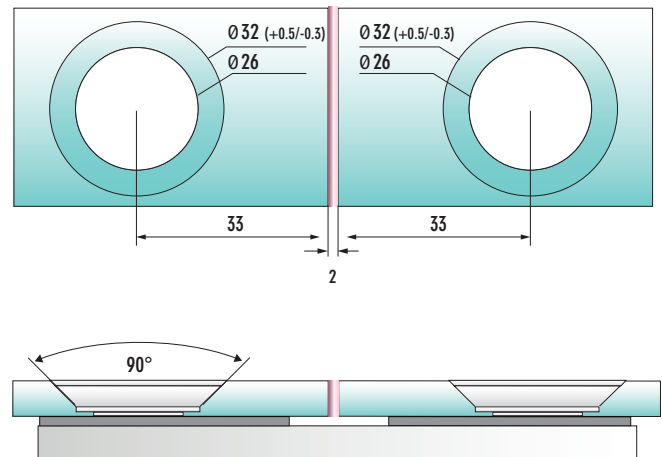
DESCRIPTION:

Longitudinal connector glass-glass 180°. Flush glass fastening with concealed screw connection.

| Usage (without Gap)



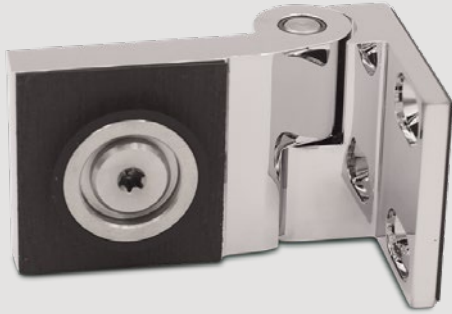
| GLASS PROCESSING (DEDUCTION)



| Technical Data:

Glasstyp:	8 mm ESG
Material:	Solid Brass
Usage:	left/right
Adjustability in the cone:	± 1.5 mm

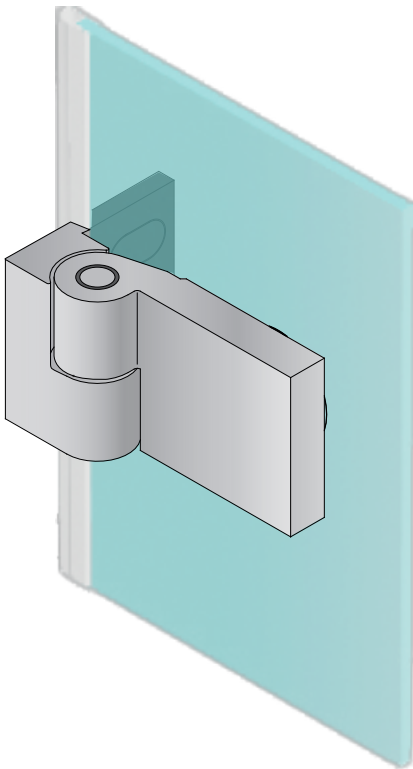
412001 | Lift'n-Sink Hinge Glass-Wall 90° left



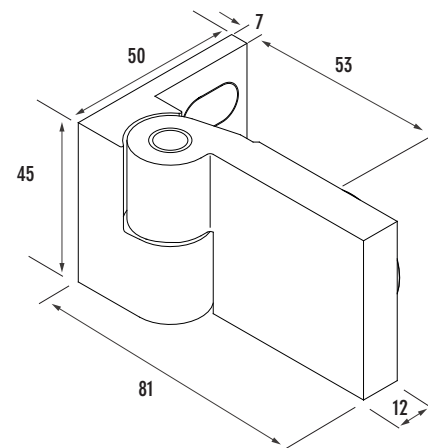
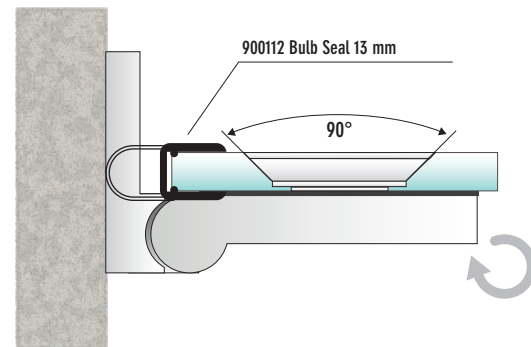
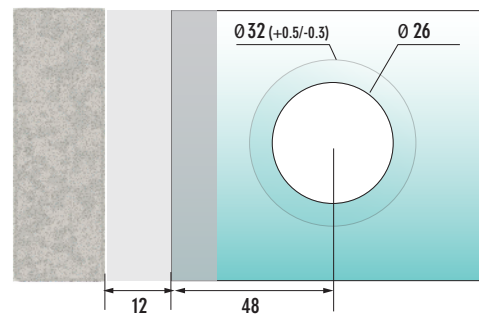
DESCRIPTION:

Hinge glass-wall 90° with lifting and lowering mechanism.
 DIN left outwards opening.
 Lifting: 5 mm.
 Flush glass fixing with concealed screw connection.
 Wall screw fitting in slotted hole with cover.

| USAGE (WITH SEAL)



| GLASS PROCESSING (DEDUCTION)



| Technical Data:

Glasstype:	8 mm ESG
Material:	Solid Brass
Usage:	left
Adjustability in the cone:	± 1.5 mm
Adjustability in slotted hole:	± 4.0 mm
Max. Door width (for height up to):	1000mm (2000mm)

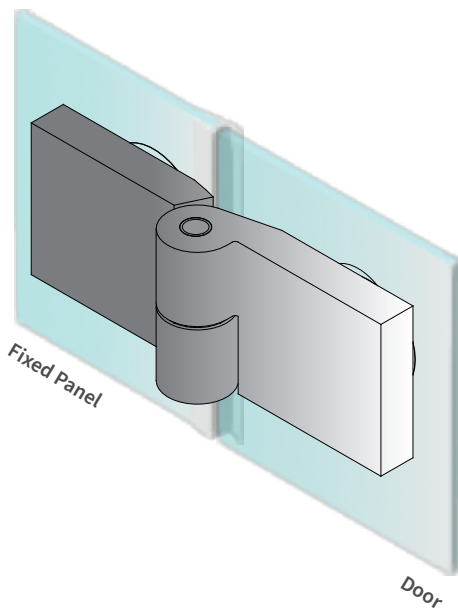
412003 | Lift'n-Sink Hinge Glass-Glass 180° left



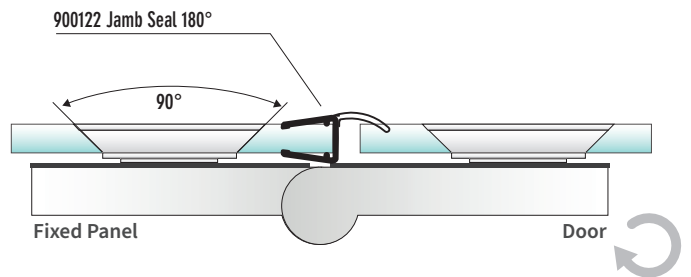
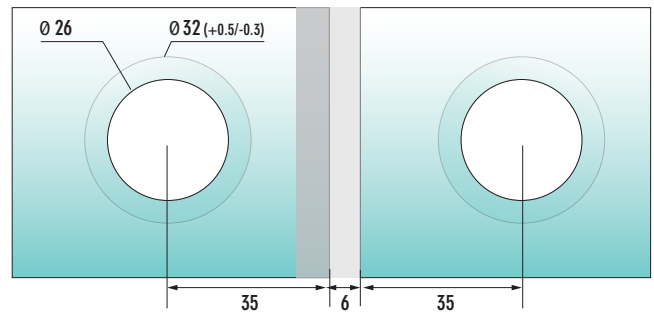
DESCRIPTION:

Hinge glass-glass 180° with lifting and lowering mechanism.
 DIN left outwards opening.
 Lifting: 5 mm.
 Flush glass fixing with concealed screw connection.

USAGE (WITH SEAL)

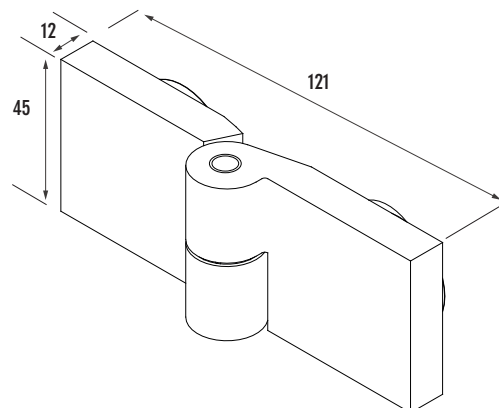


GLASS PROCESSING (DEDUCTION)



Technical Data:

Glasstype:	8 mm ESG
Material:	Solid Brass
Usage:	left
Adjustability in slotted hole:	± 1.5 mm
Max. Door width (for height up to):	1000mm (2000mm)



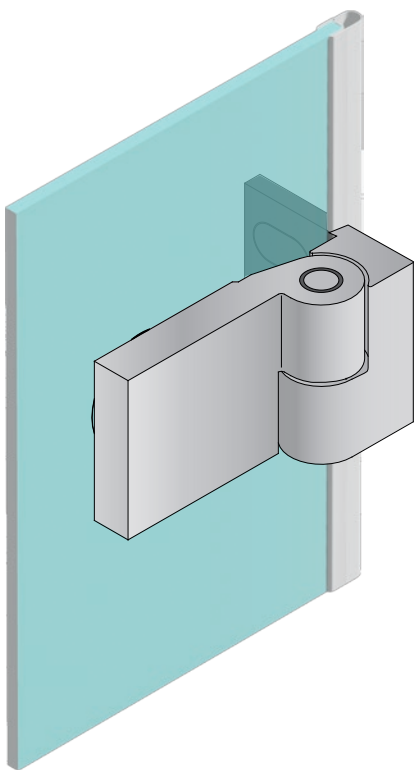
412004 | Lift'n-Sink Hinge Glass-Wall 90° right



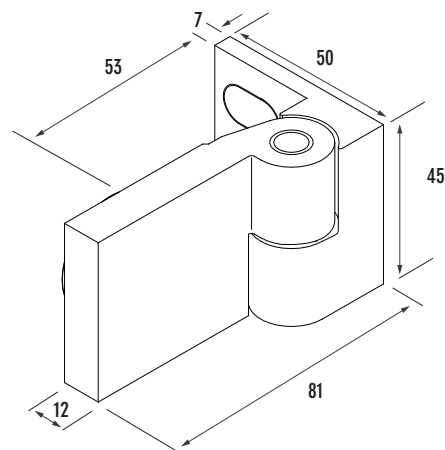
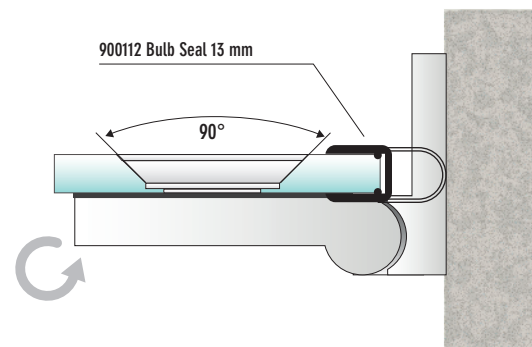
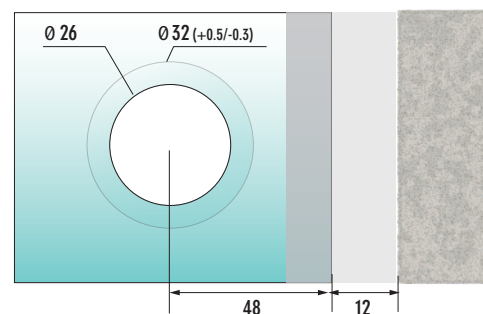
DESCRIPTION:

Hinge glass-wall 90° with lifting and lowering mechanism.
 DIN right outwards opening.
 Lifting: 5 mm.
 Flush glass fixing with concealed screw connection.
 Wall screw fitting in slotted hole with cover.

| USAGE (WITH SEAL)



| GLASS PROCESSING (DEDUCTION)



| Technical Data:

Glasstype:	8 mm ESG
Material:	Solid Brass
Usage:	right
Adjustability in the cone:	± 1.5 mm
Adjustability in slotted hole:	± 4.0 mm
Max. Door width (for height up to):	1000mm (2000mm)

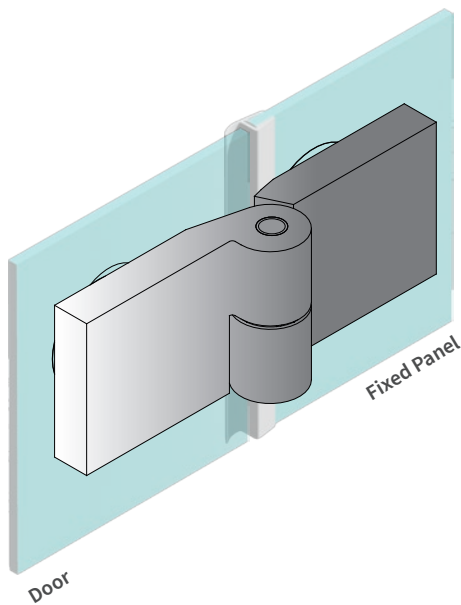
412006 | Lift'n-Sink Hinge Glass-Glass 180° right



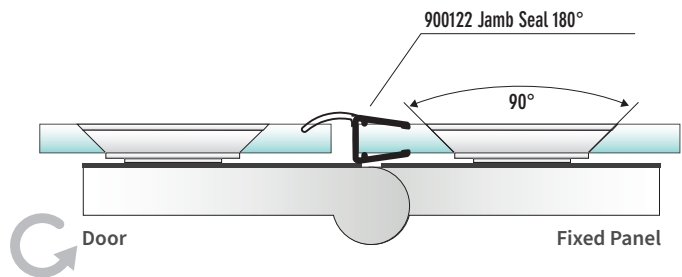
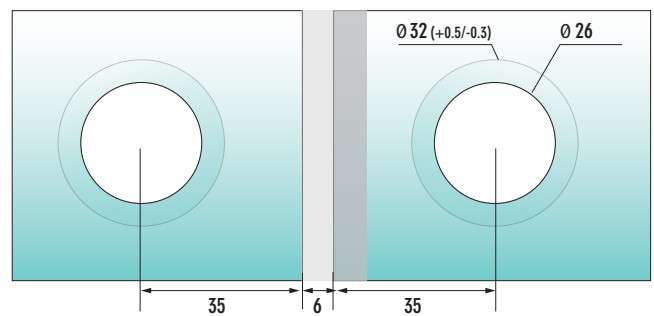
DESCRIPTION:

Hinge glass-glass 180° with lifting and lowering mechanism.
 DIN right outwards opening.
 Lifting: 5 mm.
 Flush glass fixing with concealed screw connection.

USAGE (WITH SEAL)

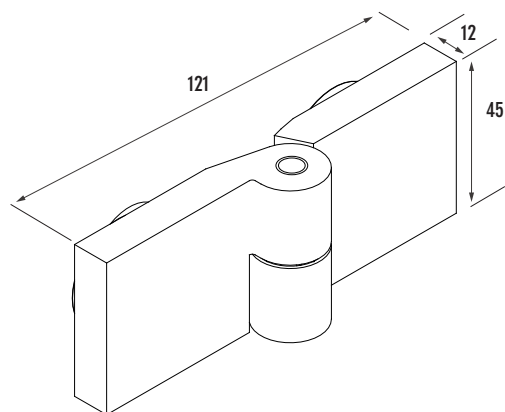


GLASS PROCESSING (DEDUCTION)



Technical Data:

- Glasstype: 8 mm ESG
- Material: Solid Brass
- Usage: right
- Adjustability in the cone: ± 1.5mm
- Max. Door width (for height up to): 1000mm (2000mm)



SHOWER FITTING TECHNOLOGY

TRITON

Flexotec GmbH
Im Öschle 1
D-78736 Epfendorf
T: +49-(0)7404-914 440
F: +49-(0)7404-914 383
info@flexotec.de
www.flexotec.de