

FlexoTec^{GmbH}



POSEIDON SHOWERFITTINGS



TECHNICAL INFO

VERSION 3.00

Poseidon TechnikInfo valid from 03.2024



POSEIDON SHOWERFITTINGS



All functions combined in one design line - this is how the Poseidon Shower Fitting is best characterised. Whether Standard, In-Swing/Out-Swing or Lift'n-Sink function - all elements, whether angle or hinge, fit together.

This means there are no more limits to creativity and flexibility in modern Shower Design.

The Poseidon Shower Fitting is made of solid, sanitary brass with a high-gloss chrome finish - and it's all "Made in Germany". "Made in Germany" means that the fittings are produced in Germany according to ISO 9001.2015 and tested in-house according to DIN EN 14428.

We are very proud of this development. Because it guarantees continuity and planning reliability in development, production, sales and assembly.

DO NOT GIVE DIRT AND LIMESCALE ANY SURFACE TO ATTACK!

The shower enclosures made with Poseidon Shower Fittings are frameless, durable, easy to clean and hygienic. We achieve this by keeping all hardware outside the wet area. Inside the shower area, there is only the flush-fitting screw connection.

Poseidon - the Shower Fitting for all occasions!

The advantages at a glance

- Flush-mounted glass
- Cost-effective glass processing due to countersunk hole without complex and expensive glass cut-out
- Simple and precise installation
- Generous adjustment possibilities in the cone
- No visible screw connections
- Bright chrome-plated covers made of solid brass
- Lift'n-Sink mechanism / now with lever-out safety device
- Infinitely adjustable zero position
- All fittings - one design
- Almost all installation variants possible
- Continuous Door Seals (better shower tightness)
- Easy-to-clean and hygienic because the fitting is outside the wet area
- Manufacture, assembly and testing in Germany





STANDARD

Brackets

400001 Angle Bracket Glass-Wall 90° mounted outside	Page 6
400002 Angle Bracket Glass-Wall 90° mounted inside	Page 7
400003 Angle Bracket Glass-Wall 90° m. o. adjustable	Page 8
400004 Bracket Glass-Wall 180°	Page 9
400005 Angle Bracket Glass-Glass 90°	Page 10
400006 Angle Bracket Glass-Glass 135°	Page 11
400007 Angle Bracket Glass-Glass 270°	Page 12
400008 Angle Bracket Glass-Glass adjustable	Page 14
400009 Bracket Glass-Glass 180°	Page 15
400011 Bracket Glass-Wall Connector	Page 16

Hinges

401001 Hinge Glass-Wall 90° mounted outside	Page 18
401002 Hinge Glass-Wall 90° mounted inside	Page 19
401003 Hinge Glass-Wall 180°	Page 20
401004 Hinge Glass-Glass 90°	Page 21
401005 Hinge Glass-Glass 180°	Page 22
401006 Hinge Glass-Glass 180° overlap	Page 23

LIFT'N SINK

402001 Lift'n-Sink Hinge Glass-Wall 90° left	Page 24
402002 Lift'n-Sink Hinge Glass-Wall 90° left (Pivot Point Shift)	Page 25
402003 Lift'n-Sink Hinge Glass-Glass 180° left	Page 26
402004 Lift'n-Sink Hinge Glass-Wall 90° right	Page 27
402005 Lift'n-Sink Hinge Glass-Wall 90° right (Pivot Point Shift)	Page 28
402006 Lift'n-Sink Hinge Glass-Glass 180° right	Page 29

IN-SWING OUT-SWING

403001 In-Swing Out-Swing Hinge Glass-Wall 90°	Page 30
403002 In-Swing Out-Swing Hinge Glass-Glass 180°	Page 31
403003 In-Swing Out-Swing Hinge Glass-Glass 90°	Page 32

LIFT'N SINK IN-SWING OUT-SWING

403005 In-Swing Out-Swing Lift-Sink Glass-Wall 90° left	Page 34
403007 In-Swing Out-Swing Lift-Sink Glass-Glass 180° left	Page 35
403008 In-Swing Out-Swing Lift-Sink Glass-Wall 90° right	Page 36
403010 In-Swing Out-Swing Lift-Sink Glass-Glass 180° right	Page 37

ACCESSOIRES

404001 Door knob round flush	Page 38
404002 Door knob square both side	Page 38
404003 Door knob square both side with stop damper for folding doors	Page 38
484001 Door knob round both side Ø 30	Page 39
484002 Door knob round both side Ø 45	Page 39
405030 Stabiliser 200x90 left	Page 40
405031 Stabiliser 300x90 left	Page 40
405032 Stabiliser 200x90 right	Page 40
405033 Stabiliser 300x90 right	Page 40
406003 SET Towel Rack closed (1000 mm shortenable)	Page 41
406004 SET Towel Rack open (1000 mm shortenable)	Page 41
485001 Wall Connector*	Page 42
485002 Glass Connector*	Page 42
485003 T-Glass Connector*	Page 42
485004 T-Extension*	Page 43
485005 Wall Connector 45°*	Page 43
485006 Wall Connector* (adjustable)	Page 43
406010 Cover plate	Page 44

DOOR SEALS

Door Seals deduction	Page 36
----------------------	---------

TECHNICAL ADVICES

Usage

Poseidon shower fittings are designed for 8 mm toughened safety glass (ESG). In exceptional cases, the glass thickness can be adapted to 6 mm or 10 mm in consultation with our technical department.

Poseidon shower fittings are not suitable for swimming pool, sauna or steam areas!

Installation

All shower door hinges and angle connectors must be installed horizontally and plumb.

The maximum load-bearing capacity for shower door hinges must not be exceeded.

Ensure that the masonry is load-bearing and flat.

Assembly using Allen key SW 6 mm, torque max. **25 Nm**.

Installation should only be carried out by qualified personnel.

We accept no liability for the installation.

Fixing Material

A load-bearing substrate is a prerequisite.

Screws and dowels should be adapted to the structural situation.

We recommend countersunk screws 6 x 60 mm made of A2 or A4 stainless steel with suitable dowels.

Door Seals

Poseidon Shower Fittings basically require installation using Door Seals. Corresponding

Notes/recommendations can be found on the individual data sheets.

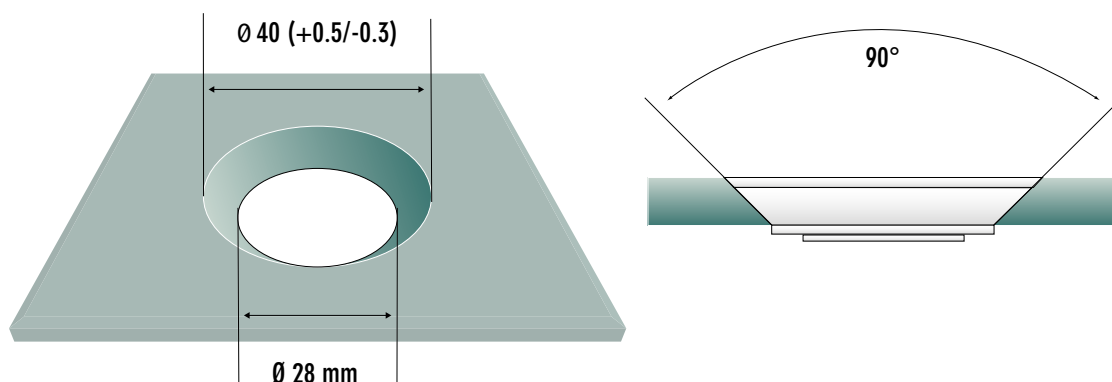
Maintenance Advises

Sharp, aggressive or abrasive cleaning agents (e.g. alkaline, chlorine-containing, acidic, solvent-containing, steel wool etc.) must not be used.

Sink hole

The dimensions given are recommendations for the optimum incorporation of the cone into the glass.

Dimensions valid for all shower door hinges (unless otherwise stated):



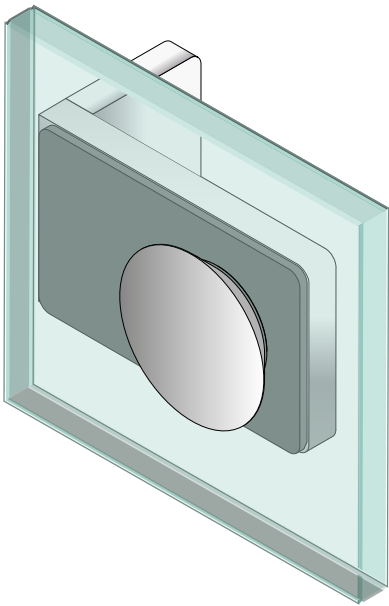
400001 | ANGLE BRACKET GLASS-WALL 90° mounted outside



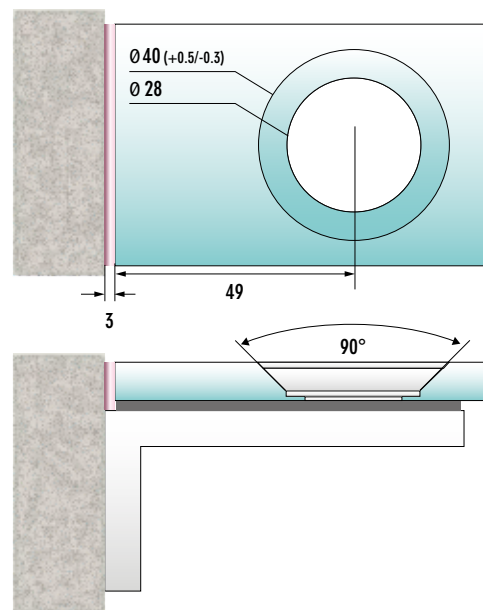
DESCRIPTION:

Angle connector for wall mounting (outside).
Screwing in slotted hole with cover.
Flush-mounted glass fixing with concealed screw connection.

| USAGE (WITHOUT GAP)

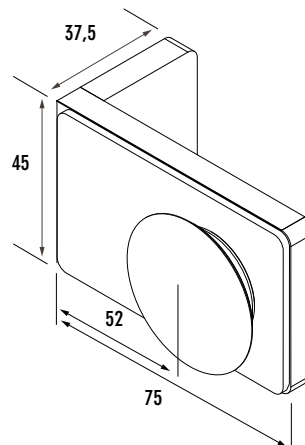


| GLASS PROCESSING

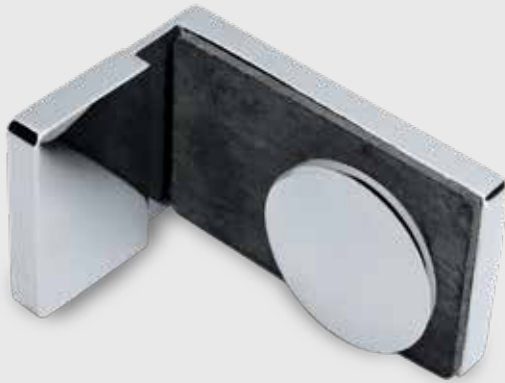


| TECHNICAL DATA:

Glasstyp:	8 mm ESG
Material:	Solid Brass
Usage:	left/right
Adjustability in the cone:	± 2.5 mm
Adjustability in oblong hole:	± 4.0 mm
Surface:	bright chrome-plated
Product-Code.:	400001



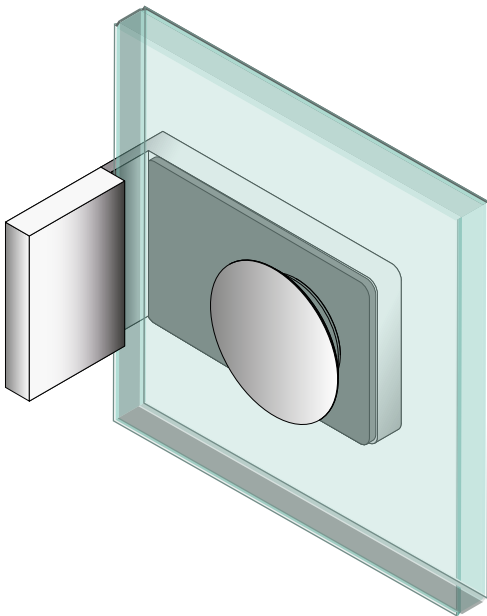
400002 | ANGLE BRACKET GLASS-WALL 90° mounted inside



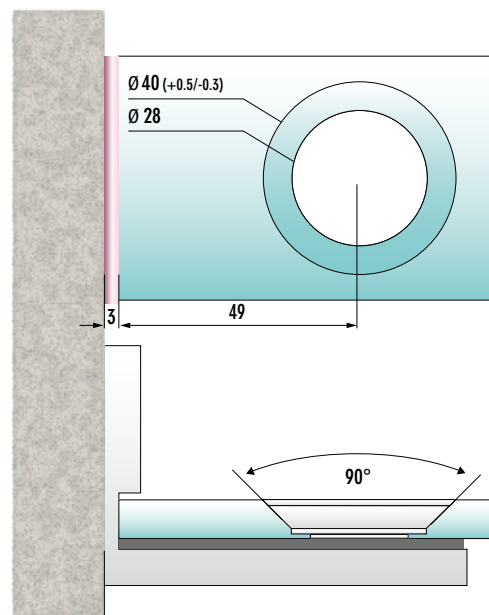
DESCRIPTION:

Angle connector for wall mounting (inside).
Screwing in slotted hole with cover.
Flush-mounted glass fixing with concealed
screw connection.

| USAGE (WITHOUT GAP)

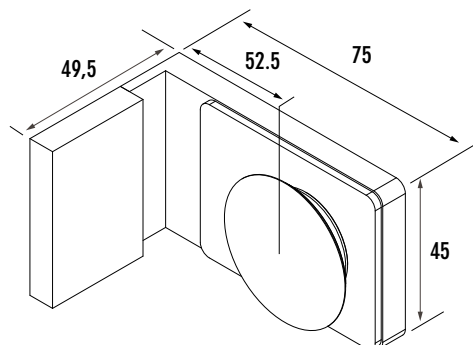


| GLASS PROCESSING



| TECHNICAL DATA:

Glasstyp:	8 mm ESG
Material:	Solid Brass
Usage:	left/right
Adjustability in the cone:	± 2.5 mm
Adjustability in oblong hole:	± 4.0 mm
Surface:	bright chrome-plated
Product-Code.:	400002



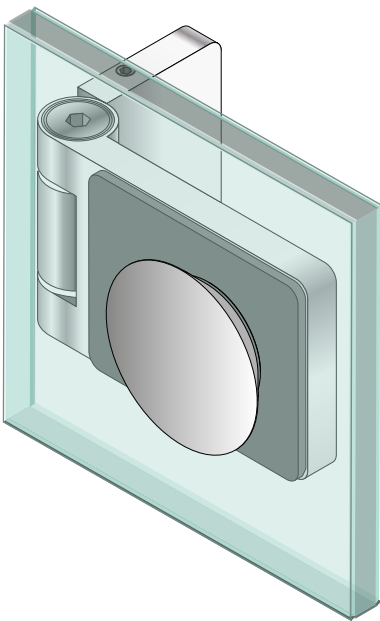
400003 | ANGLE BRACKET GLASS-WALL 90° mounted outside adjustable



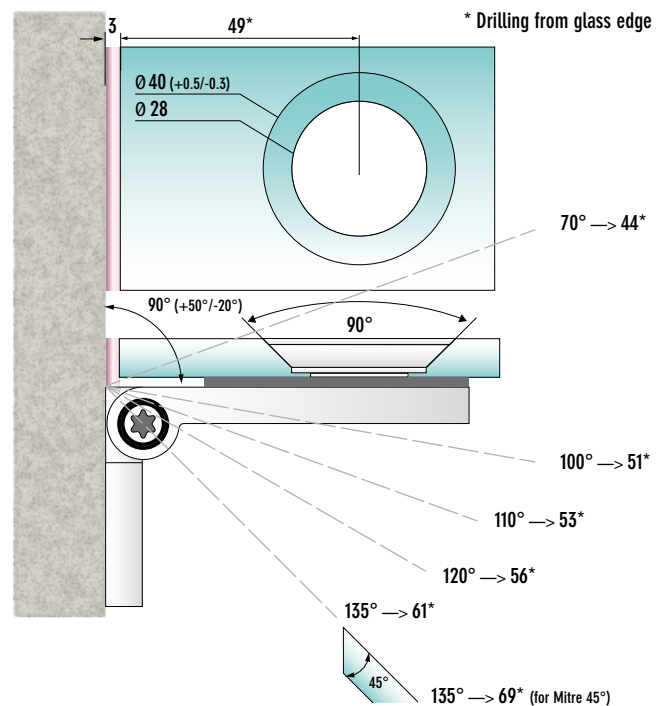
DESCRIPTION:

Angle connector adjustable for Wall Mounting (outside).
Screw connection in slotted hole with cover.
Angle continuously adjustable.
Flush glass fixing with concealed screw connection.

| USAGE (WITHOUT GAP)

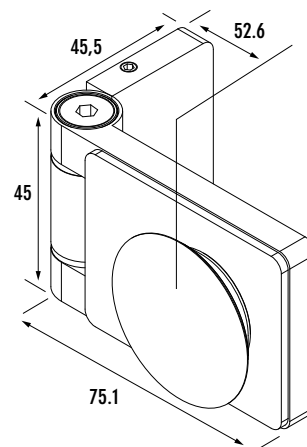


| GLASS PROCESSING

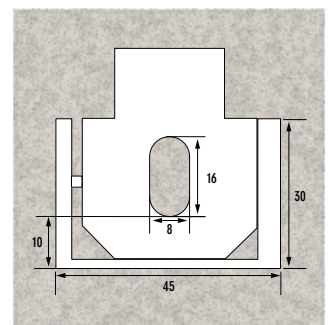


| TECHNICAL DATA:

Glasstyp:	8 mm ESG
Material:	Solid Brass
Usage:	left/right
Adjustability in the cone:	± 2.5 mm
Adjustability in oblong hole:	± 4.0 mm
Surface:	bright chrome-plated
Product-Code.:	400003



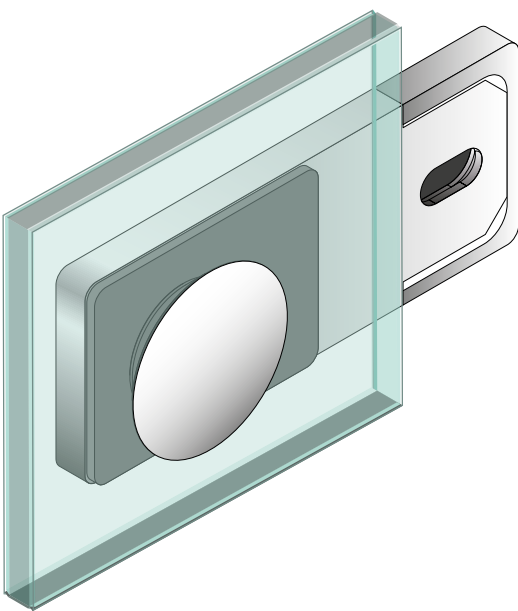
| WALL MOUNTING



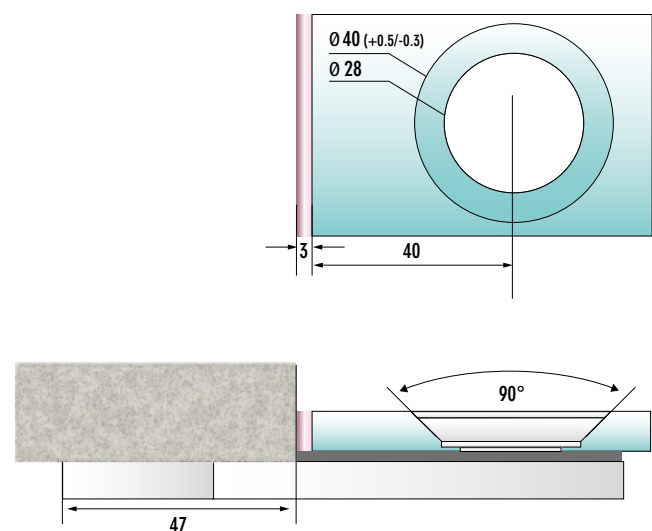
400004 | BRACKET GLASS-WALL 180°



| USAGE (WITHOUT GAP)

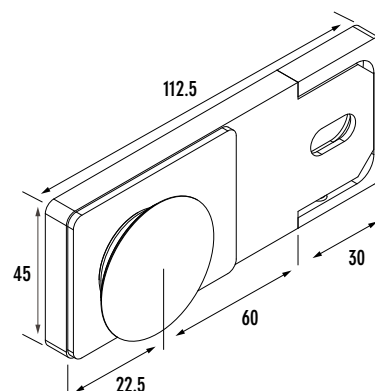


| GLASS PROCESSING



| TECHNICAL DATA:

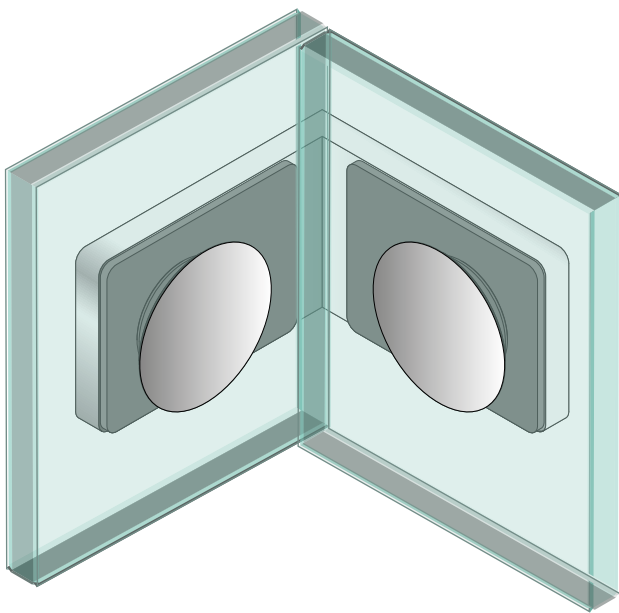
Glasstype:	8 mm ESG
Material:	Solid Brass
Usage:	left/right
Adjustability in the cone:	± 2.5 mm
Adjustability in oblong hole:	± 4.0 mm
Surface:	bright chrome-plated
Product-Code.:	400004



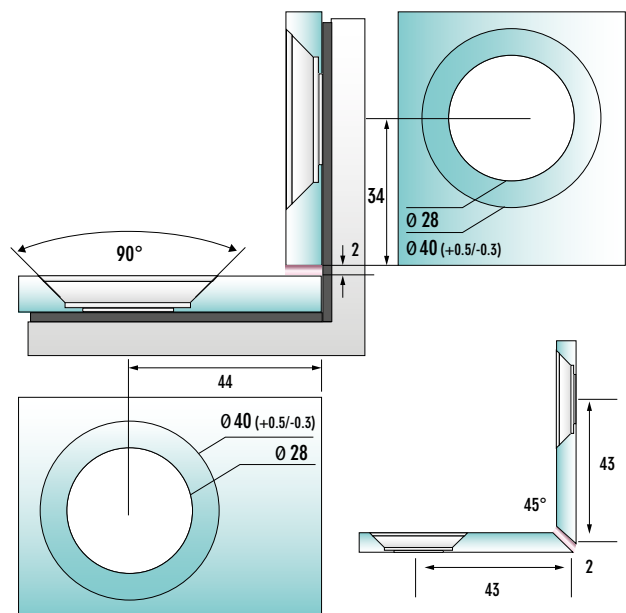
400005 | ANGLE BRACKET GLASS-GLASS 90°



| USAGE (WITHOUT GAP)

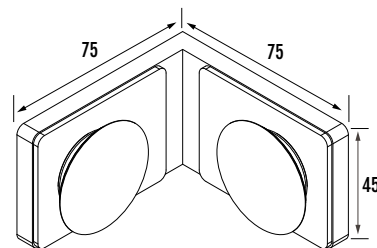


| GLASS PROCESSING

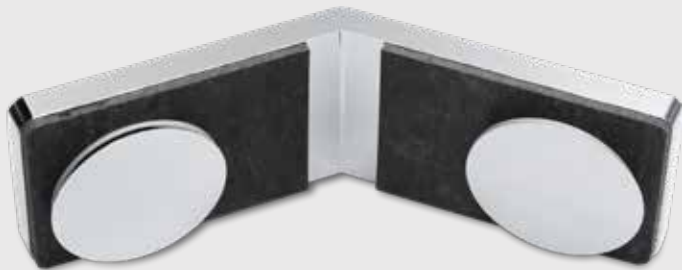


| TECHNICAL DATA:

Glasstyp:	8 mm ESG
Material:	Solid Brass
Usage:	left/right
Adjustability in the cone:	± 2.5 mm
Surface:	bright chrome-plated
Product-Code.:	400005



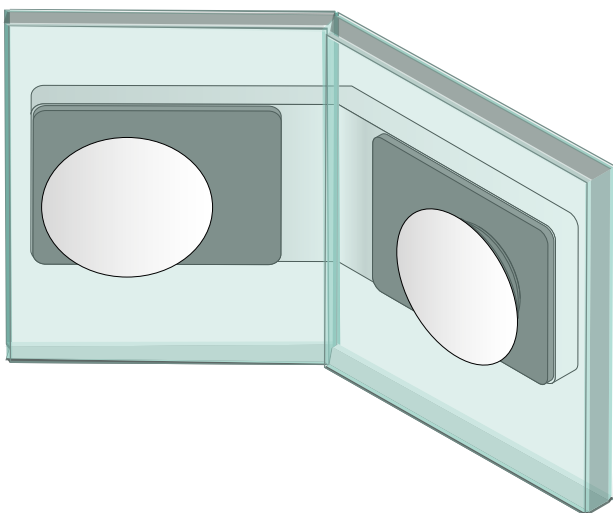
400006 | ANGLE BRACKET GLASS-GLASS 135°



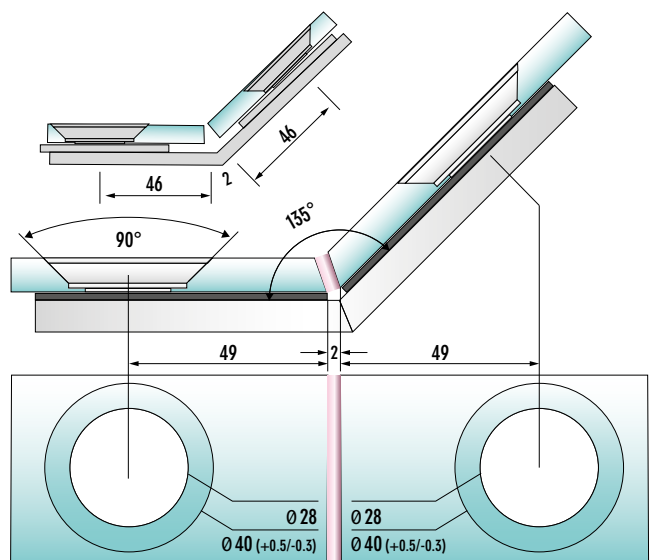
DESCRIPTION:

Angle connector glass-glass 135°. Flush glass fixing with concealed screw connection.

| USAGE (WITHOUT GAP)

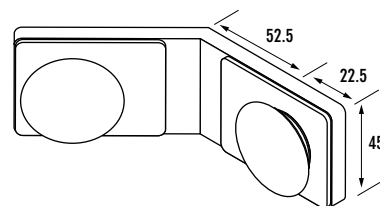


| GLASS PROCESSING

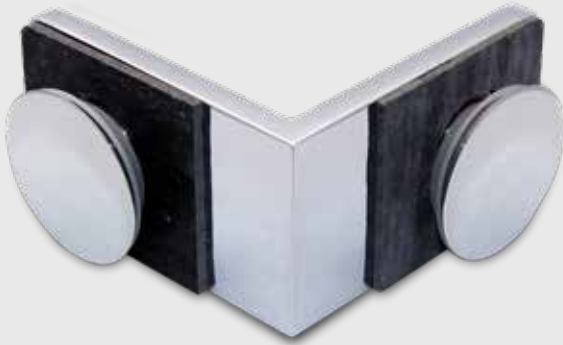


| TECHNICAL DATA:

Glasstyp:	8 mm ESG
Material:	Solid Brass
Usage:	left/right
Adjustability in the cone:	± 2.5 mm
Surface:	bright chrome-plated
Product-Code.:	400006



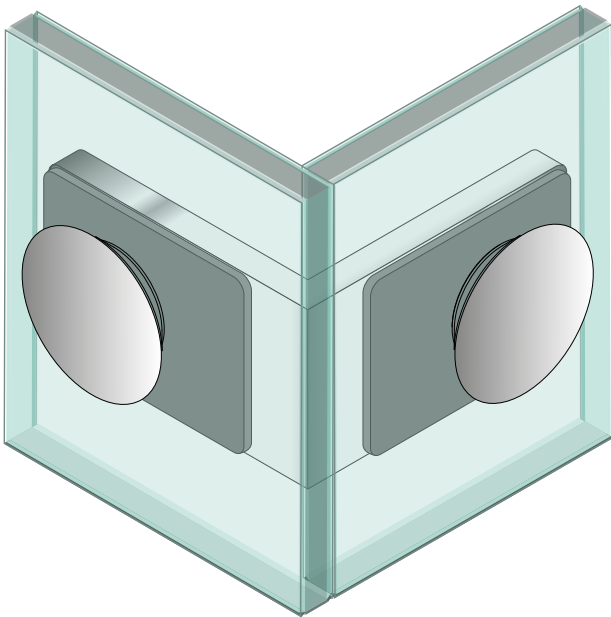
400007 | ANGLE BRACKET GLASS-GLASS 270°



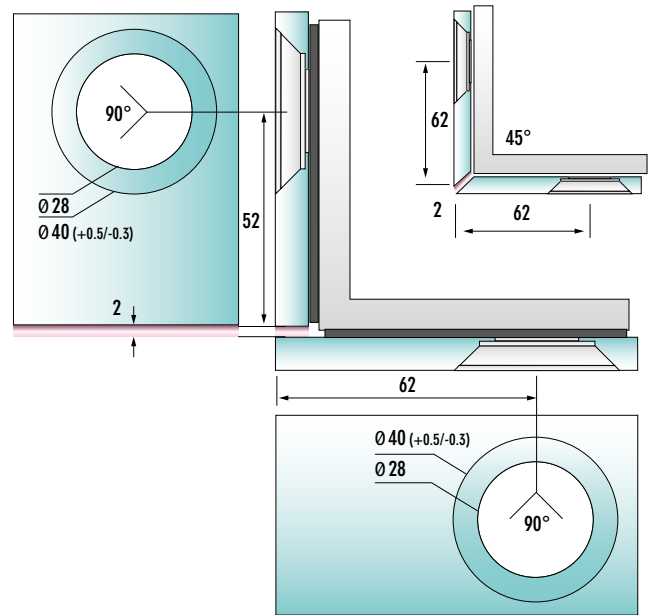
DESCRIPTION:

Angle connector glass-glass 270°. Flush glass fixing with concealed screw connection.

| USAGE (WITHOUT GAP)

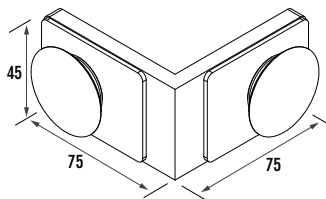


| GLASS PROCESSING



| TECHNICAL DATA:

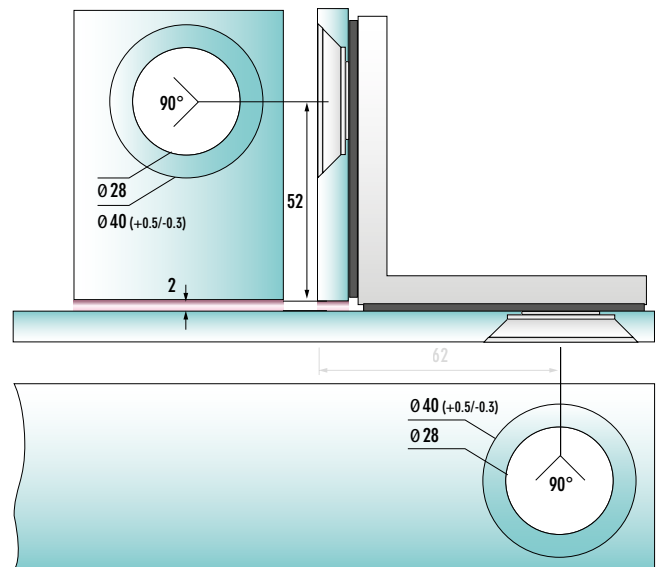
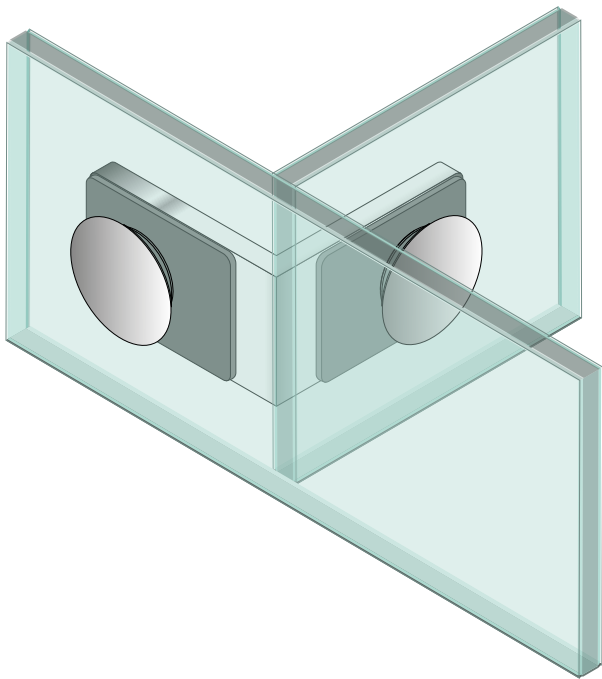
Glasstyp:	8 mm ESG
Material:	Solid Brass
Usage:	left/right
Adjustability in the cone:	± 2.5 mm
Surface:	bright chrome-plated
Product-Code.:	400007



400007 | ANGLE BRACKET GLASS-GLASS 270° AS T-CONNECTOR

DESCRIPTION:

Angle connector glass-glass 270° (as shown left).
Flush glass fixing with concealed screw connection.
Use as T-connector for special constructions.



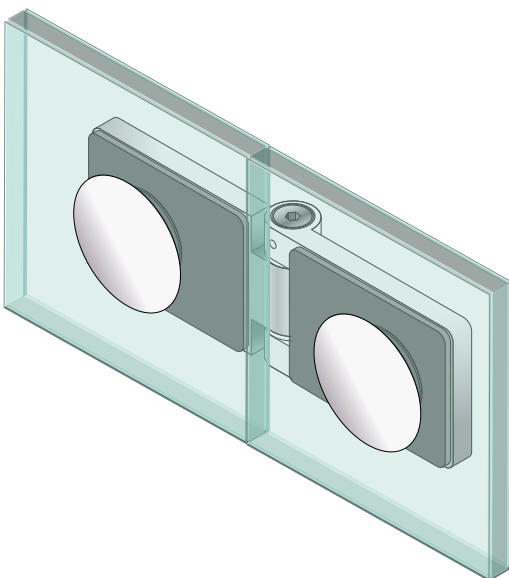
400008 | ANGLE BRACKET GLASS-GLASS ADJUSTABLE



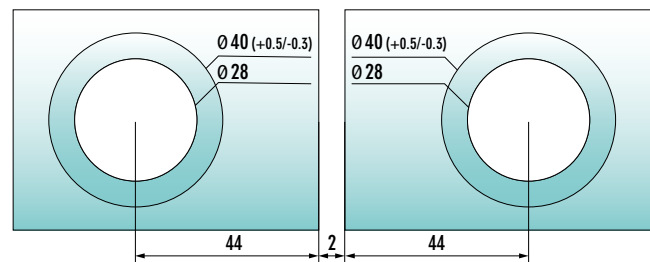
DESCRIPTION:

Angle connector glass-glass adjustable.
Flush-mounted glass with concealed screw connection.

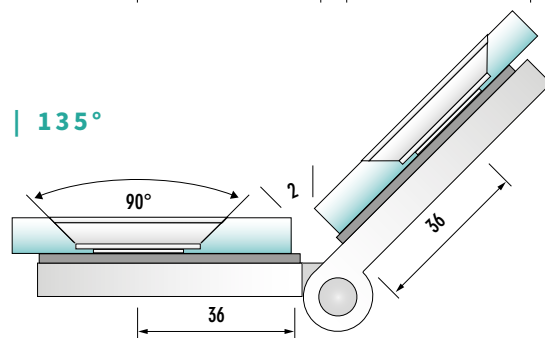
| USAGE (WITHOUT GAP)



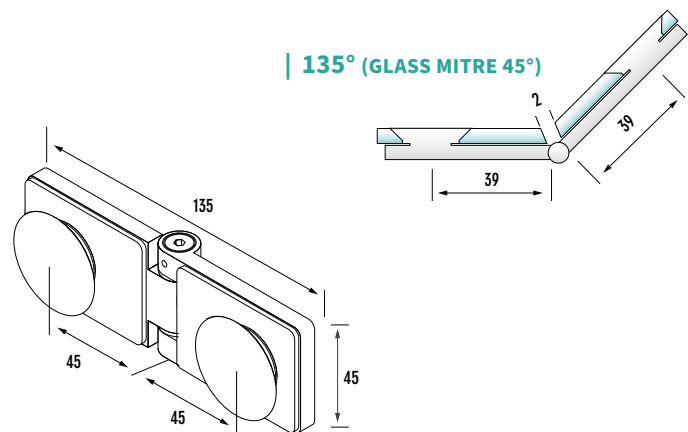
| GLASS PROCESSING



| 135°



| 135° (GLASS MITRE 45°)



| TECHNICAL DATA:

Glasstyp:	8 mm ESG
Material:	Solid Brass
Usage:	left/right
Adjustability in the cone:	± 2.5 mm
Surface:	bright chrome-plated
Product-Code.:	400008

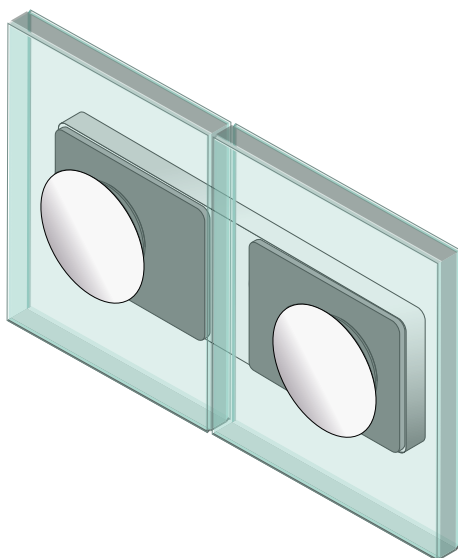
400009 | BRACKET GLASS-GLASS 180°



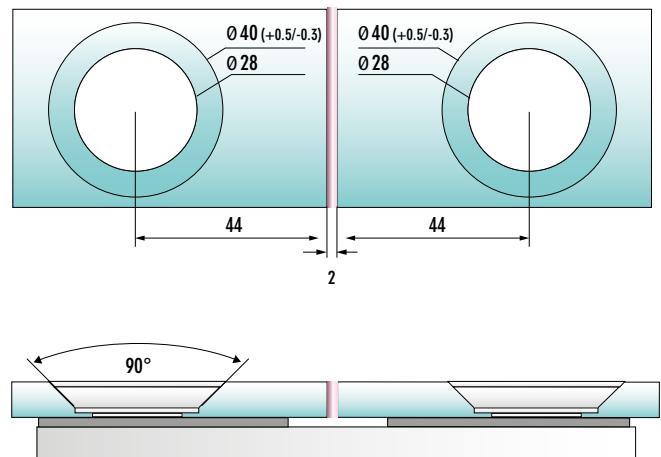
DESCRIPTION:

Longitudinal connector glass-glass 180°. Flush-mounted glass with concealed screw connection.

| USAGE (WITHOUT GAP)

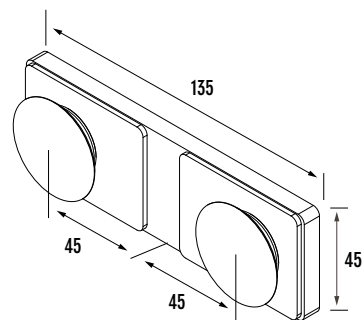


| GLASS PROCESSING



| TECHNICAL DATA:

Glasstyp:	8 mm ESG
Material:	Solid Brass
Usage:	left/right
Adjustability in the cone:	± 2.5 mm
Surface:	bright chrome-plated
Product-Code.:	400009



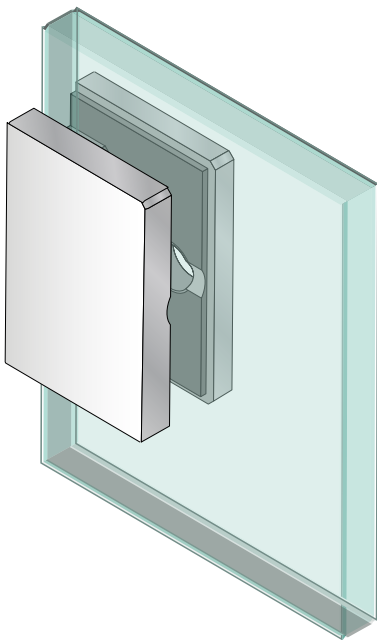
400011 | GLASS-WALL CONNECTOR



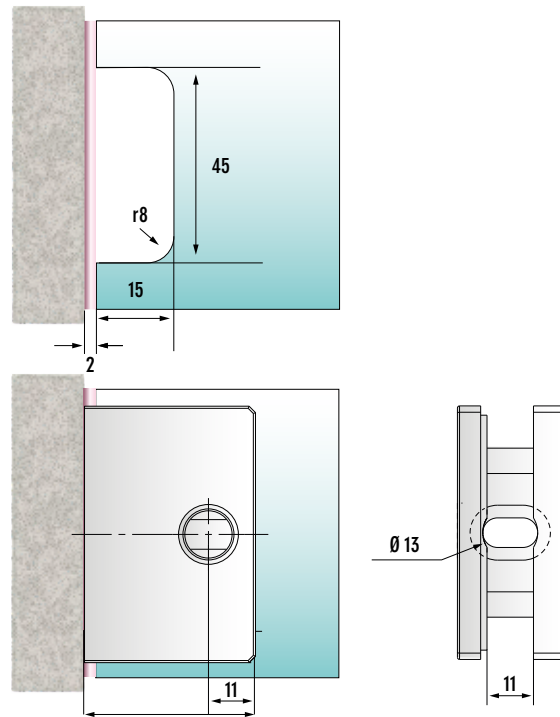
DESCRIPTION:

Universal glass-wall connector for 8-10mm glass with screw connection in slotted hole. Variable glass fixing by means of pressure-screw and cover.

| USAGE (WITHOUT GAP)

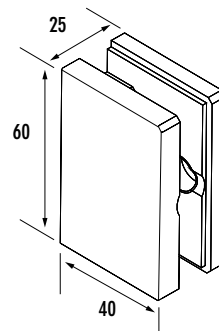


| GLASS PROCESSING

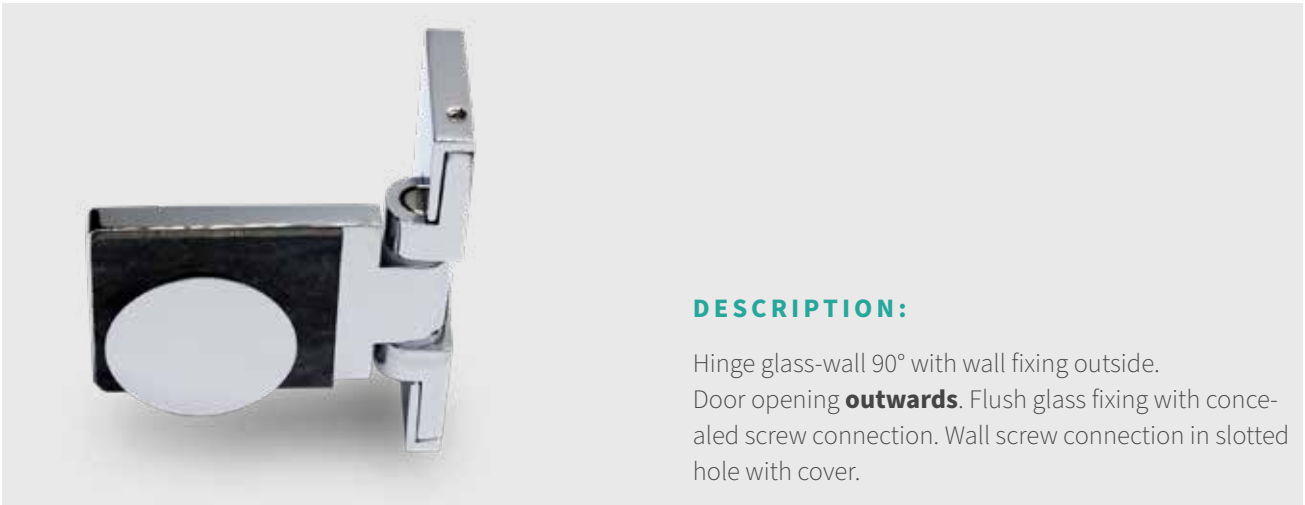


| TECHNICAL DATA:

Glasstyp:	8-10 mm ESG
Material:	Solid Brass
Usage:	left/right
Adjustability in oblong hole:	± 3.5 mm
Verstellbarkeit im Glasausschnitt:	± 4.0 mm
Surface:	bright chrome-plated
Product-Code.:	400011



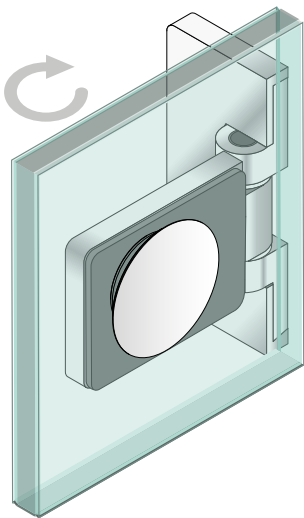
401001 | HINGE GLASS-WALL 90° MOUNTED OUTSIDE



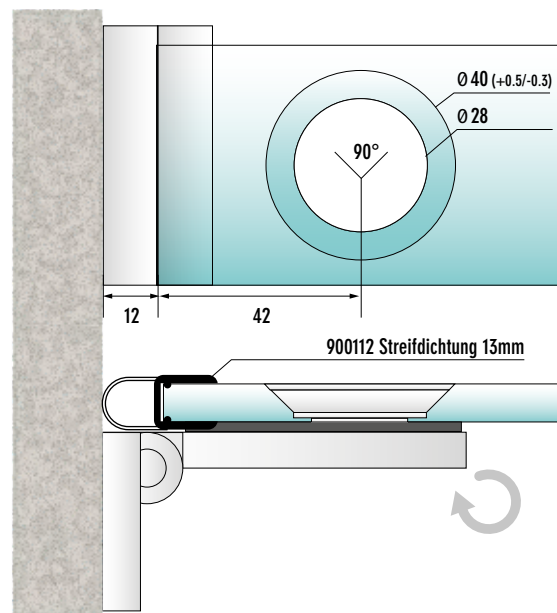
DESCRIPTION:

Hinge glass-wall 90° with wall fixing outside.
Door opening **outwards**. Flush glass fixing with concealed screw connection. Wall screw connection in slotted hole with cover.

| USAGE (WITHOUT GAP)



| GLASS PROCESSING

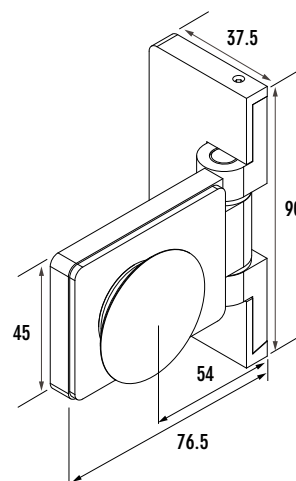


| TECHNICAL DATA:

Glasstyp:	8 mm ESG
Maximum Weight:	50 kg using two hinges
Maximum Width:	1000 mm
Material:	Solid Brass
Usage:	left/right
Adjustability in the cone:	± 2.5 mm
Surface:	bright chrome-plated
Product-Code:	401001

| SEAL RECOMMENDED:

Product-Code:	900112
Description:	Bulb Seal 13mm



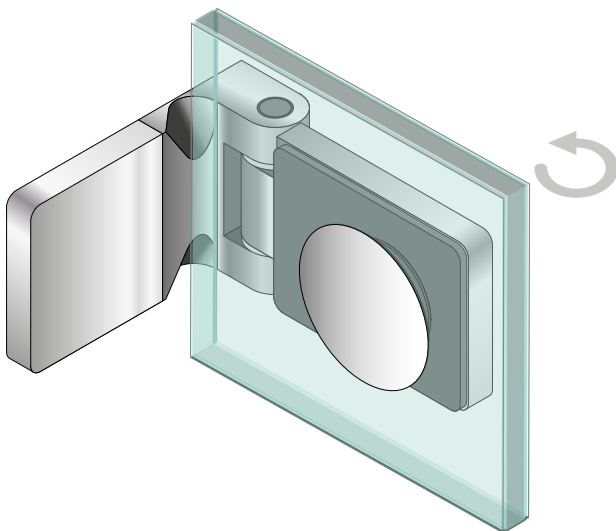
401002 | HINGE GLASS-WALL 90° MOUNTED INSIDE



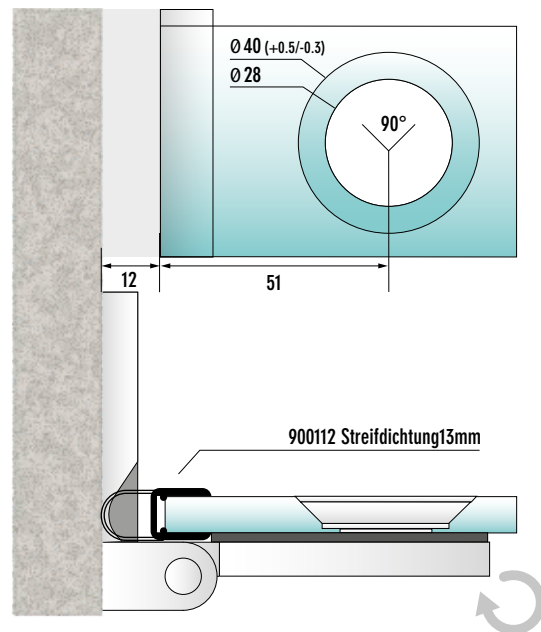
DESCRIPTION:

Hinge glass-wall 90° with wall fixing inside. Door opening **outwards**. Flush glass fixing with concealed screw connection. Wall screw connection in slotted hole with cover.

| USAGE (WITHOUT GAP)



| GLASS PROCESSING

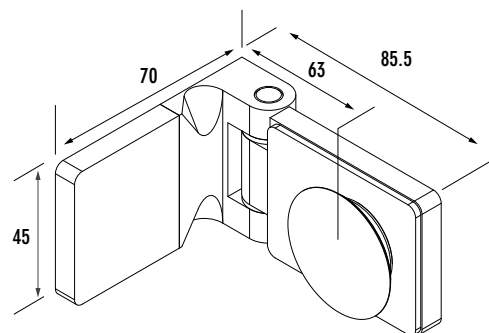


| TECHNICAL DATA:

Glasstyp:	8 mm ESG
Maximum Weight:	50 kg using two hinges
Maximum Width:	1000 mm
Material:	Solid Brass
Usage:	left/right
Adjustability in the cone:	± 2.5 mm
Surface:	bright chrome-plated
Product-Code:	401002

| SEAL RECOMMENDED:

Product-Code:	900112
Description:	Bulb Seal 13mm



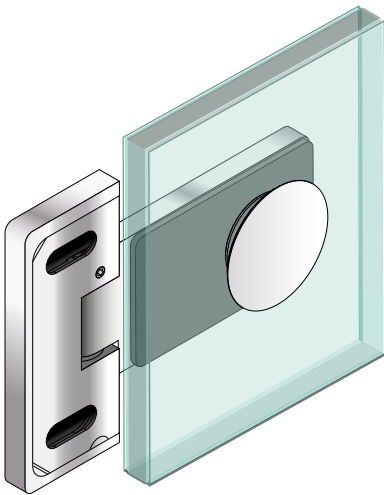
401003 | HINGE GLASS-WALL 180°



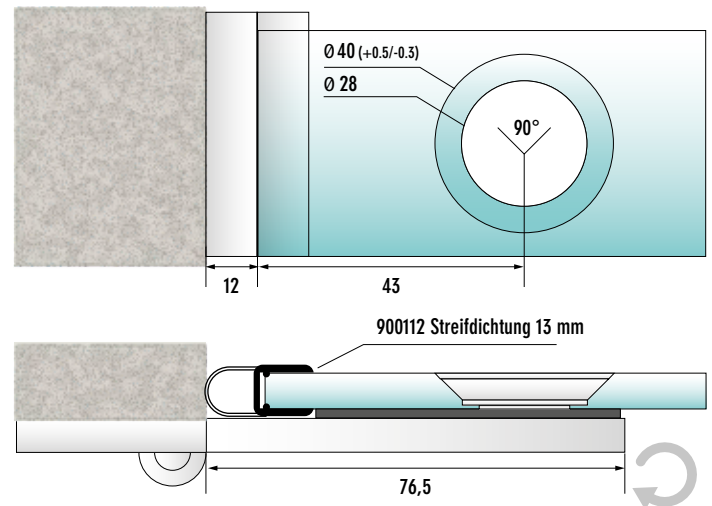
DESCRIPTION:

Hinge glass-wall 180° with wall fixing outside.
Door opening **outwards**. Flush glass fixing with concealed screw connection. Wall screw connection in slotted hole with cover.

| USAGE (WITHOUT GAP)



| GLASS PROCESSING



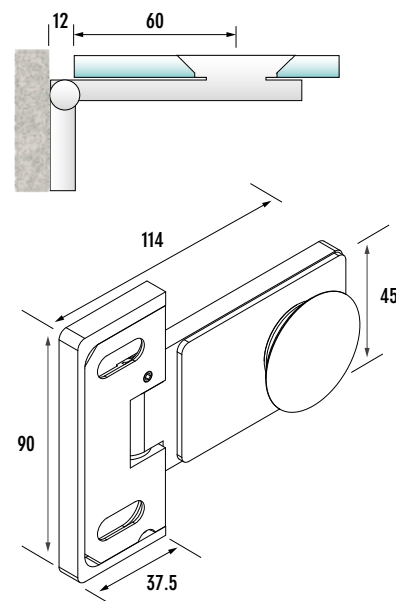
| TECHNICAL DATA:

Glasstyp:	8 mm ESG
Maximum Weight:	50 kg using two hinges
Maximum Width:	1000 mm
Material:	Solid Brass
Usage:	left/right
Adjustability in the cone:	± 2.5 mm
Surface:	bright chrome-plated
Product-Code:	401003

| SEAL RECOMMENDED:

Product-Code:	900112
Description:	Bulb Seal 13mm

| BEI VERWENDUNG 90°



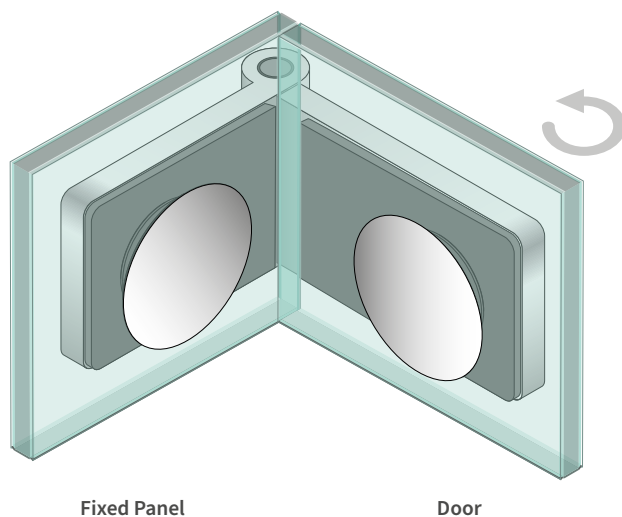
401004 | HINGE GLASS-GLASS 90°



DESCRIPTION:

Hinge glass-glass 90°. Door opening **outwards** (up to 270°). Flush glass fixing with concealed screw connection.

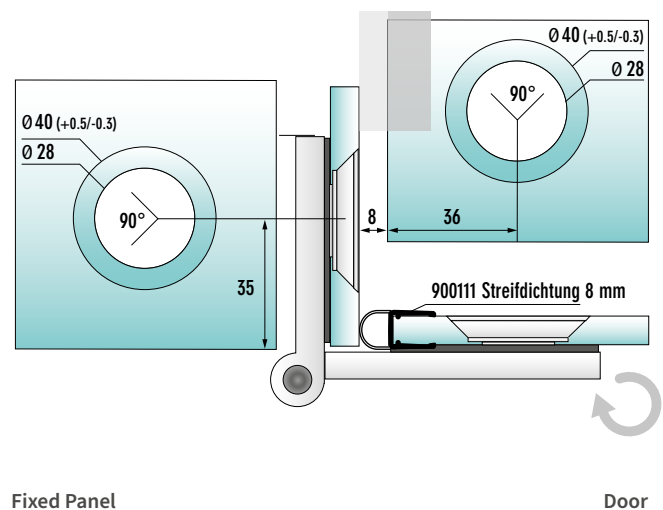
| USAGE (WITHOUT GAP)



Fixed Panel

Door

| GLASS PROCESSING

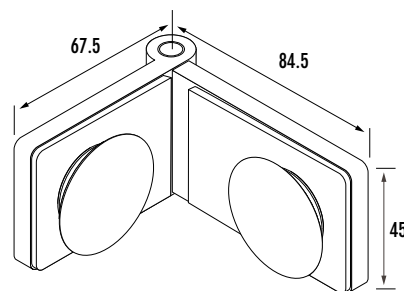


Fixed Panel

Door

| TECHNICAL DATA:

Glasstyp:	8 mm ESG
Maximum Weight:	50 kg using two hinges
Maximum Width:	1000 mm
Material:	Solid Brass
Usage:	left/right
Adjustability in the cone:	± 2.5 mm
Surface:	bright chrome-plated
Product-Code:	401004



| SEAL RECOMMENDED:

Product-Code:	900111
Description:	Bulb Seal 8mm

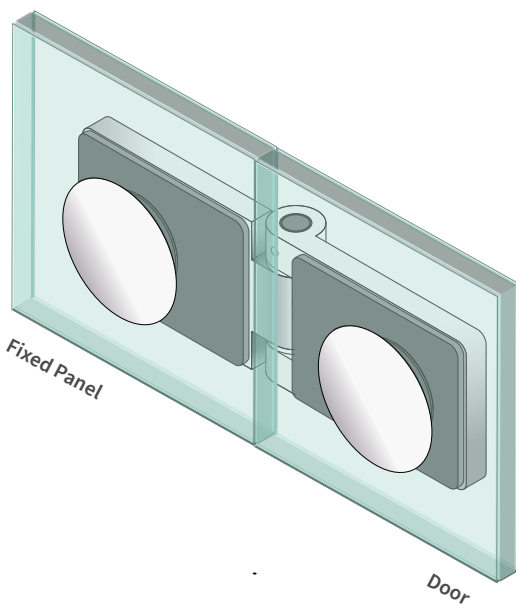
401005 | HINGE GLASS-GLASS 180°



DESCRIPTION:

Hinge glass-glass 180°.
Door opening **outwards**.
Flush glass fixing with concealed screw connection.

| USAGE (WITHOUT GAP)



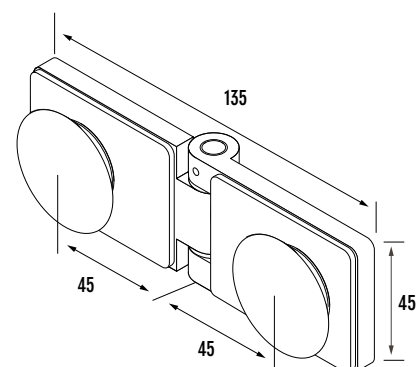
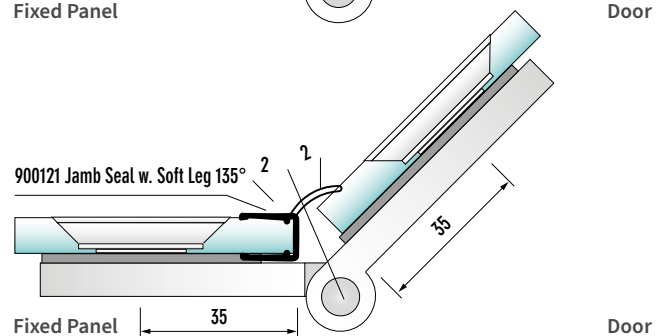
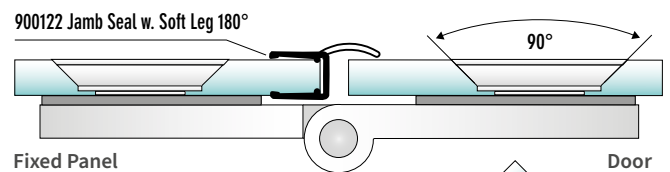
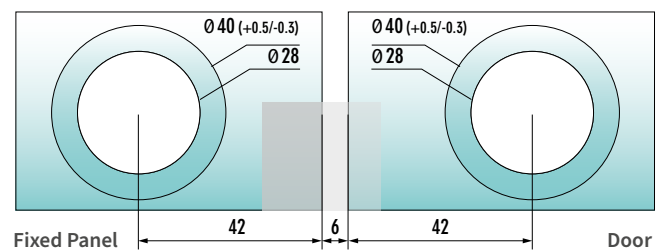
| TECHNICAL DATA:

Glasstype:	8 mm ESG
Maximum Weight:	50 kg using two hinges
Maximum Width:	1000 mm
Material:	Solid Brass
Usage:	left/right
Adjustability in the cone:	± 2.5 mm
Surface:	bright chrome-plated
Product-Code.:	401005

| SEAL RECOMMENDED:

Product-Code	900121/900122
Description	Jamb Seal 135°/180°

| GLASS PROCESSING (DEDUCTION DIMENSIONS)



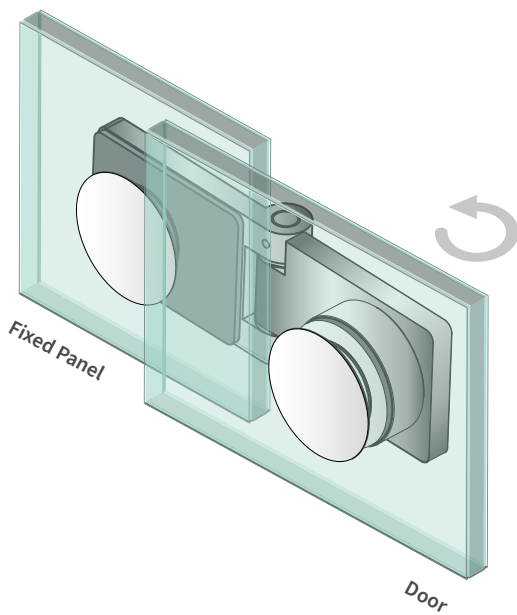
401006 | HINGE GLASS-GLASS 180° OVERLAP



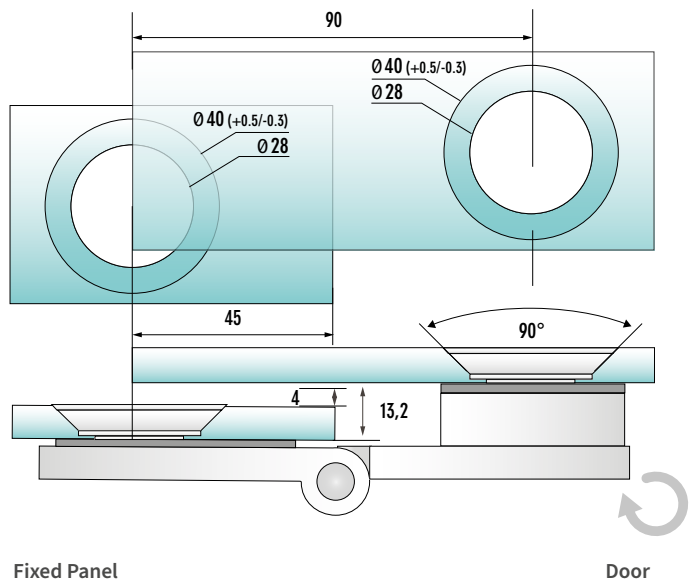
DESCRIPTION:

Hinge glass-glass 180° overlapping.
 Door opening **outwards**.
 Flush glass fixing with concealed screw connection.

| USAGE (WITHOUT GAP)

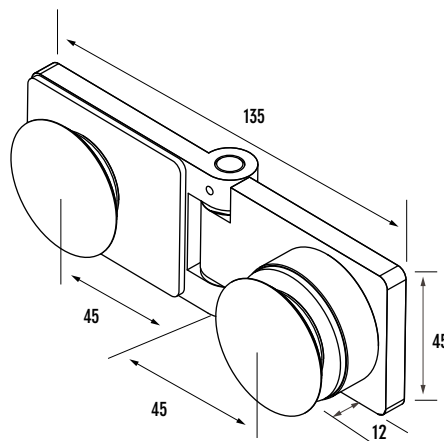


| GLASS PROCESSING (DEDUCTION DIMENSIONS)



| TECHNICAL DATA:

Glasstype:	8 mm ESG
Maximum Weight:	40 kg using two hinges
Maximum Width:	850 mm
Material:	Solid Brass
Usage:	left/right
Adjustability in the cone:	± 2.5 mm
Surface:	bright chrome-plated
Product-Code.:	401006



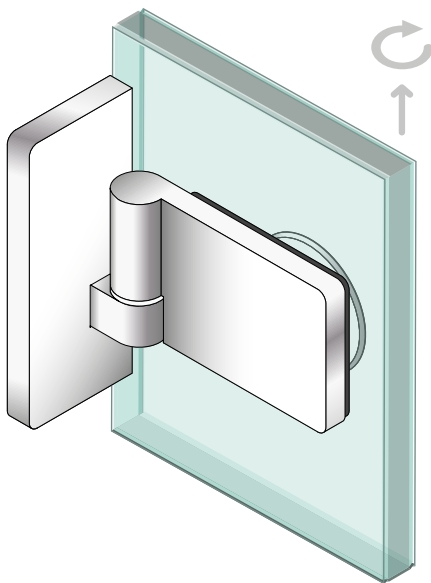
402001 | LIFT'N-SINK HINGE GLASS-WALL 90° LEFT



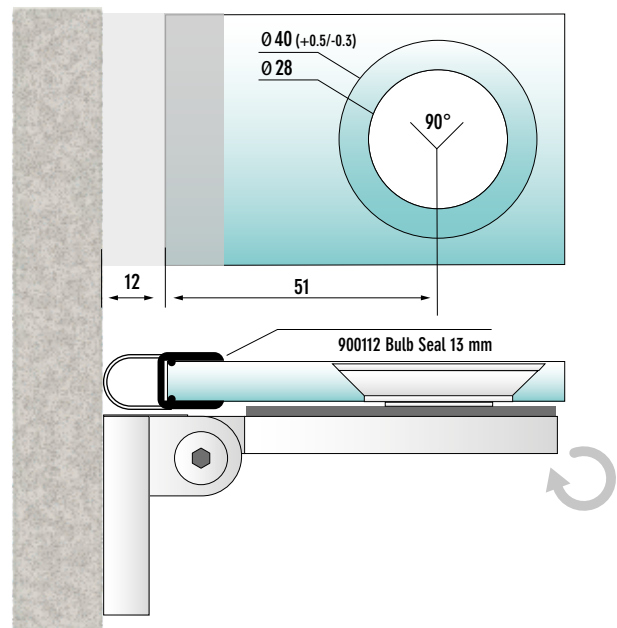
DESCRIPTION:

Hinge glass-wall 90° with lift'n sink mechanism. DIN left opening outside. Zero position adjustable. Lift-off: 4 mm. With lever-out protection. Flush glass fastening with concealed screw concealed screw connection. Wall screw connection in slotted hole with cover.

USAGE (WITHOUT GAP)



GLASS PROCESSING (DEDUCTION)

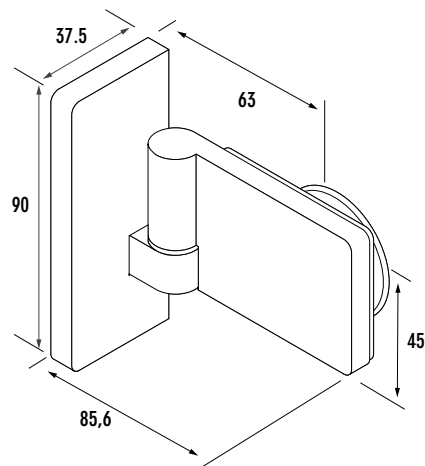


TECHNICAL DATA:

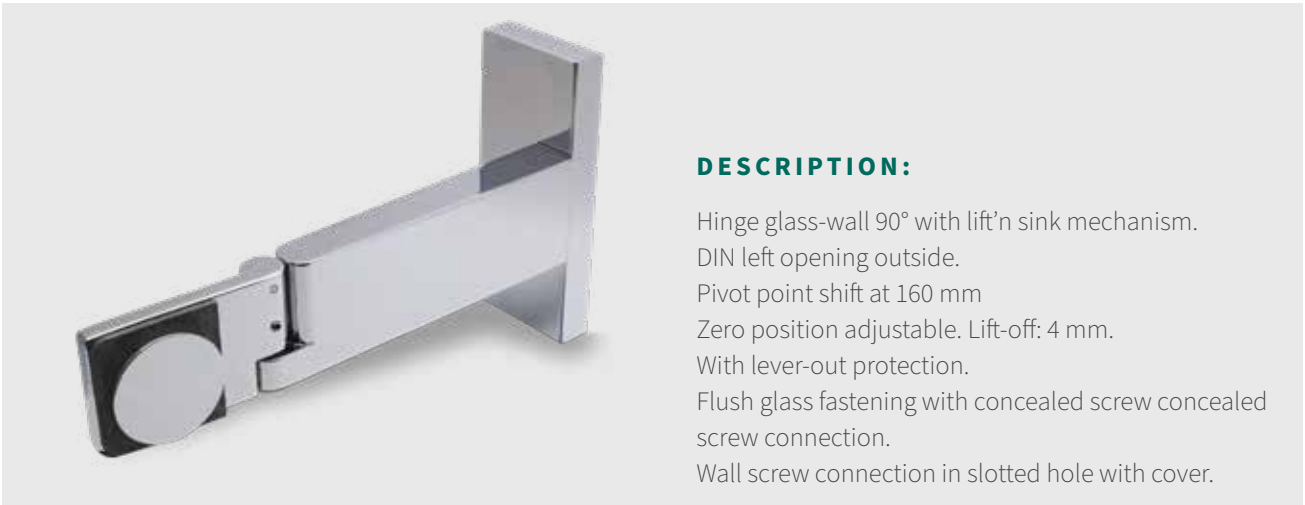
Glasstype:	8 mm ESG
Maximum Weight:	50 kg using two hinges
Maximum Width:	1000 mm
Lift-Off:	4 mm
Material:	Solid Brass
Usage:	left
Adjustability in the cone:	± 2.5 mm
Surface:	bright chrome-plated
Product-Code:	402001

SEAL RECOMMENDED:

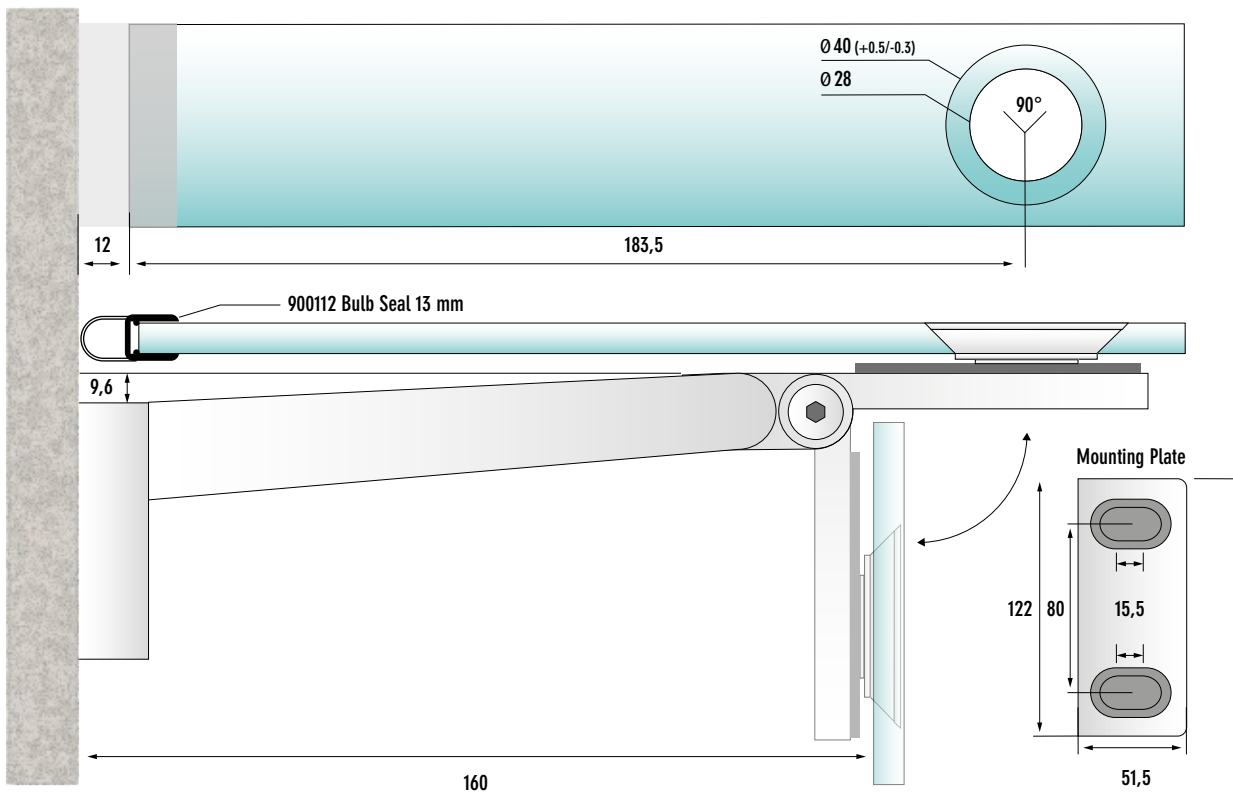
Product-Code:	900112
Description:	Bulb Seal 13mm



402002 | LIFT'N-SINK HINGE GLASS-WALL 90° left pivot point shift



| GLASS PROCESSING (DEDUCTION)



| TECHNICAL DATA:

Glasstype:	8 mm ESG
Maximum Weight:	40 kg using two hinges
Maximum Width:	850 mm
Lift-Off:	4 mm
Pivot Point Shift:	160 mm
Material:	Solid Brass

Usage:	left
Adjustability in the cone:	± 2.5 mm
Surface:	bright chrome-plated
Product-Code.:	402002

| SEAL RECOMMENDED:

Product-Code.:	900112
Description:	Bulb Seal 13mm

402003 | LIFT'N-SINK HINGE GLASS-GLASS 180° LEFT

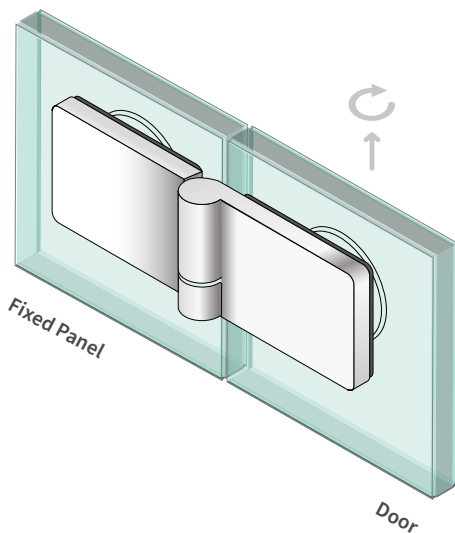


DESCRIPTION:

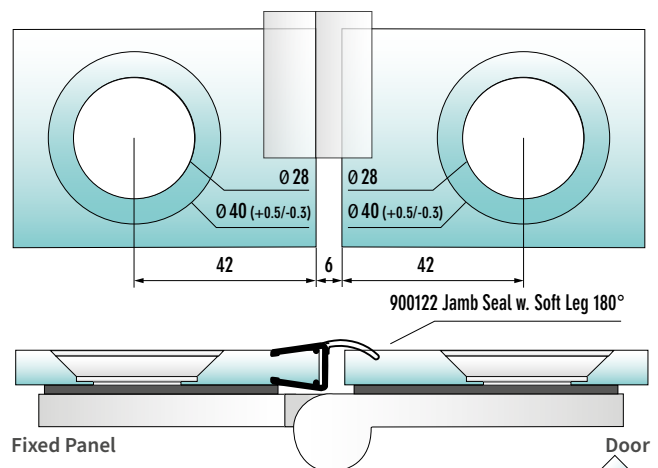
Hinge glass-glass 180° with lift'n sink mechanism.
 DIN left opening outside.
 Zero position adjustable. Lift-off: 4 mm.
 With lever-out protection.
 Flush glass fastening with concealed screw concealed screw connection.
 Wall screw connection in slotted hole with cover.

LIFT'N-SINK

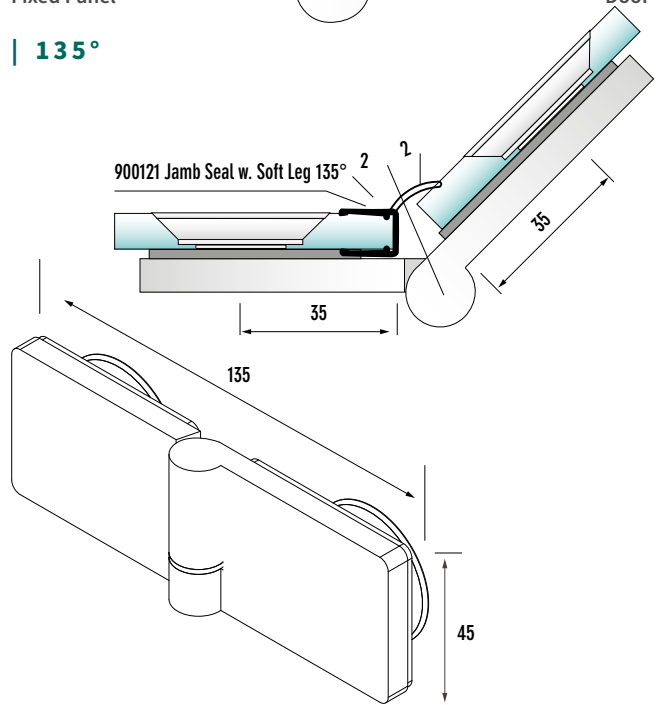
| USAGE (WITHOUT GAP)



| GLASS PROCESSING (DEDUCTION)



| 135°



| TECHNICAL DATA:

Glasstype:	8 mm ESG
Maximum Weight:	50 kg using two hinges
Maximum Width:	1000 mm
Lift-Off:	4 mm
Material:	Solid Brass
Usage:	left
Adjustability in the cone:	± 2.5 mm
Surface:	bright chrome-plated
Product-Code.:	402003

| SEAL RECOMMENDED:

Product-Code.:	900122
Description:	Jamb Seal 180°/135°

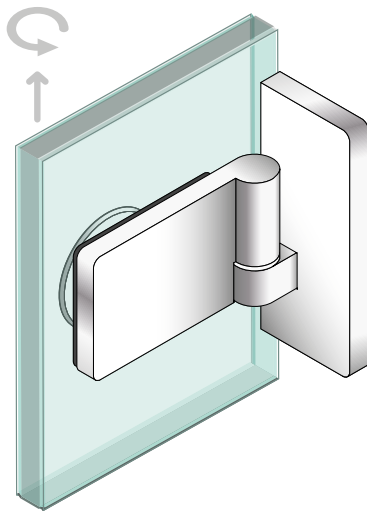
402004 | LIFT'N-SINK HINGE GLASS-WALL 90° RIGHT



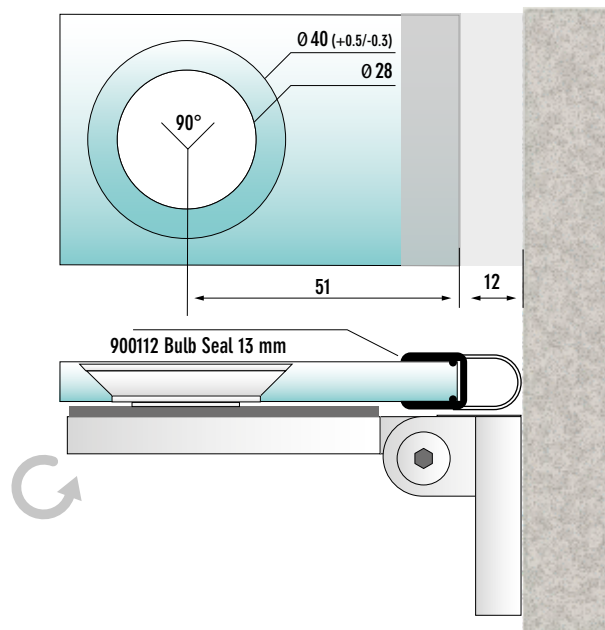
DESCRIPTION:

Hinge glass-wall 90° with lift'n sink mechanism.
 DIN right opening outside.
 Zero position adjustable. Lift-off: 4 mm.
 With lever-out protection.
 Flush glass fastening with concealed screw concealed screw connection.
 Wall screw connection in slotted hole with cover.

| USAGE (WITHOUT GAP)



| GLASS PROCESSING (DEDUCTION)

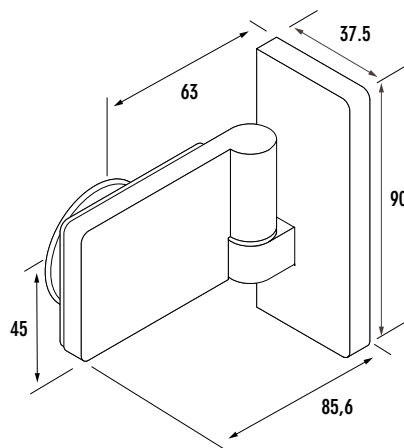


| TECHNICAL DATA:

Glasstype:	8 mm ESG
Maximum Weight:	50 kg using two hinges
Maximum Width:	1000mm
Lift-Off:	4 mm
Material:	Solid Brass
Usage:	right
Adjustability in the cone:	± 2.5 mm
Surface:	bright chrome-plated
Product-Code.:	402004

| SEAL RECOMMENDED:

Product-Code.:	900112
Description:	Bulb Seal 13mm



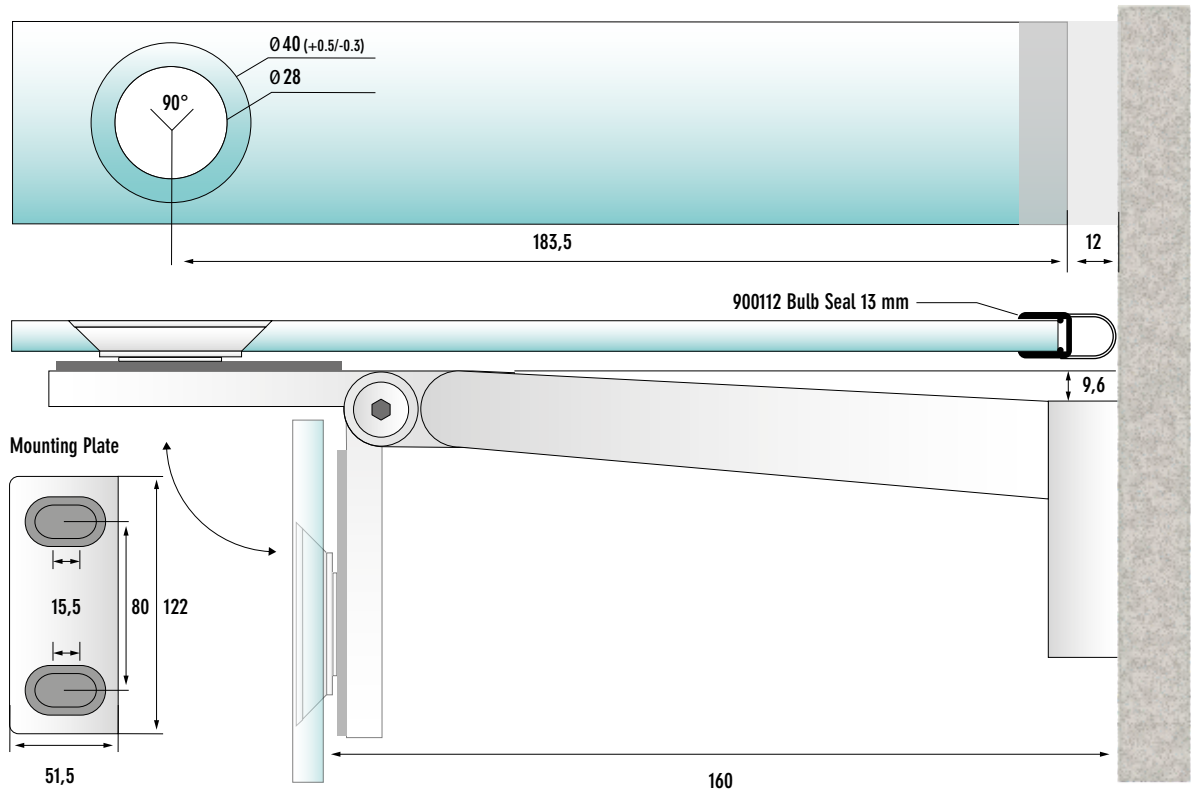
402005 | LIFT'N-SINK HINGE GLASS-WALL 90° right pivot point shift



DESCRIPTION:

Hinge glass-wall 90° with lift'n sink mechanism.
 DIN right opening outside.
 Pivot point shift at 160 mm.
 Zero position adjustable. Lift-off: 4 mm.
 With lever-out protection.
 Flush glass fastening with concealed screw connection.
 Wall screw connection in slotted hole with cover.

| GLASS PROCESSING (DEDUCTION)



| TECHNICAL DATA:

Glasstype: 8 mm ESG
 Maximum Weight: 40 kg using two hinges
 Maximum Width: 850 mm
 Lift-Off: 4 mm
 Pivot Point Shift: 160 mm
 Material: Solid Brass
 Usage: right

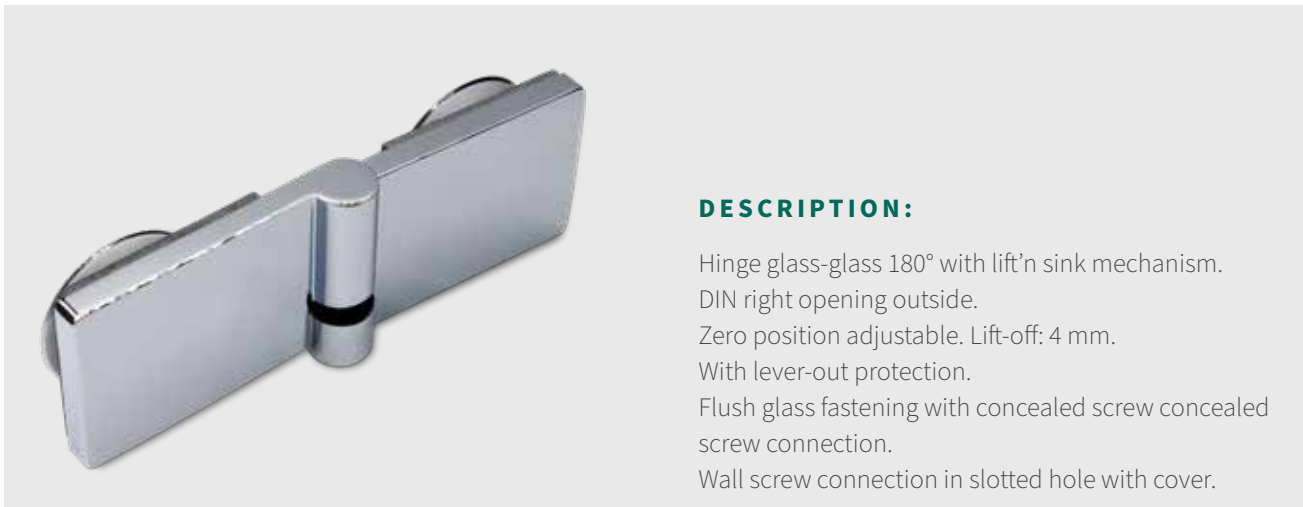
Adjustability in the cone: ± 2.5 mm
 Surface: bright chrome-plated
 Product-Code.: 402005

| SEAL RECOMMENDED:

Product-Code.: 900112
 Description: Stripe Seal 13mm

402006 | LIFT'N-SINK HINGE GLASS-GLASS 180° RIGHT

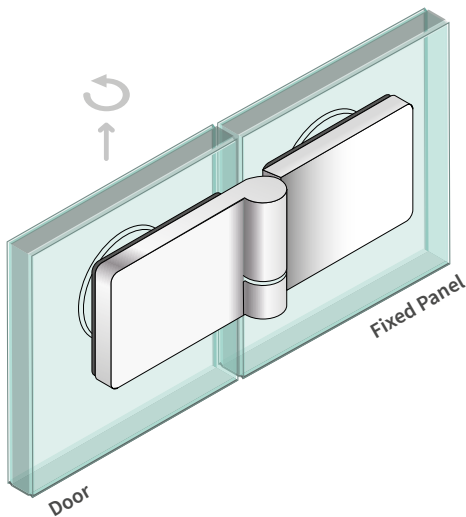
LIFT'N-SINK



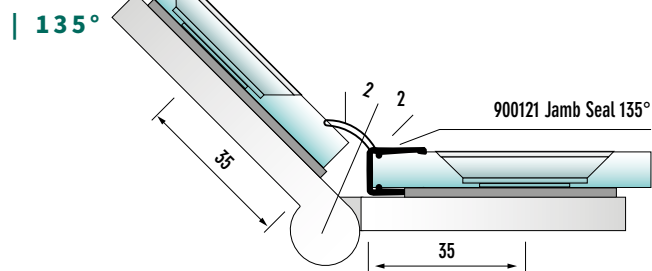
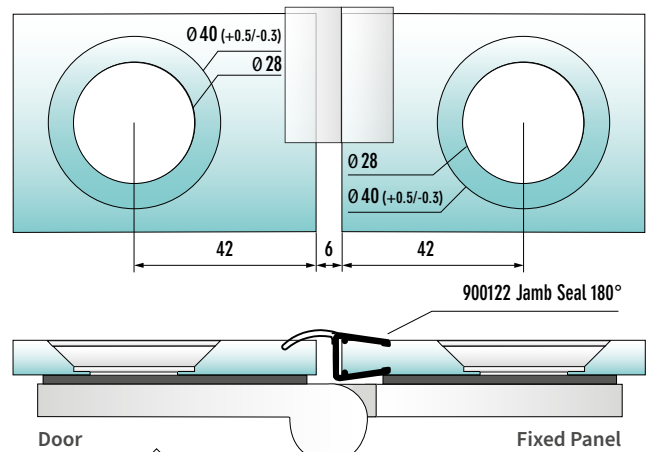
DESCRIPTION:

Hinge glass-glass 180° with lift'n sink mechanism.
 DIN right opening outside.
 Zero position adjustable. Lift-off: 4 mm.
 With lever-out protection.
 Flush glass fastening with concealed screw concealed screw connection.
 Wall screw connection in slotted hole with cover.

USAGE (WITHOUT GAP)



GLASS PROCESSING (DEDUCTION)

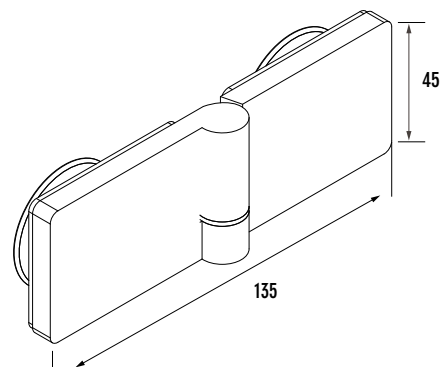


TECHNICAL DATA:

Glasstype:	8 mm ESG
Maximum Weight:	50 kg using two hinges
Maximum Width:	1000 mm
Lift-Off:	4 mm
Material:	Solid Brass
Usage:	right
Adjustability in the cone:	± 2.5 mm
Surface:	bright chrome-plated
Product-Code.:	402006

SEAL RECOMMENDED:

Product-Code.:	900122
Description:	Middle Seal 180°/135°

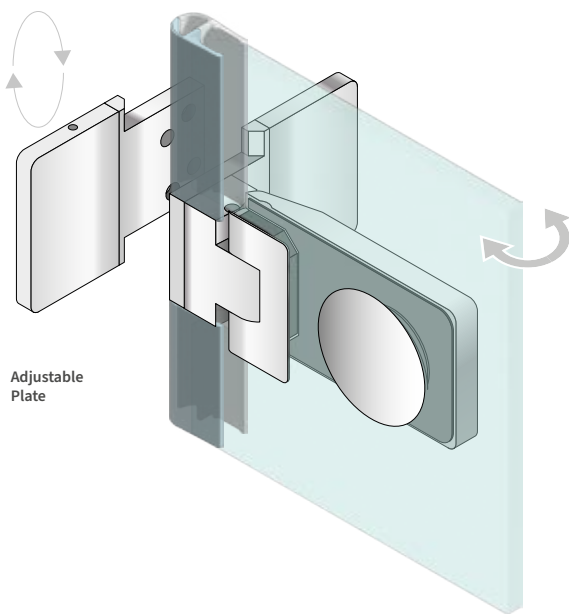




DESCRIPTION:

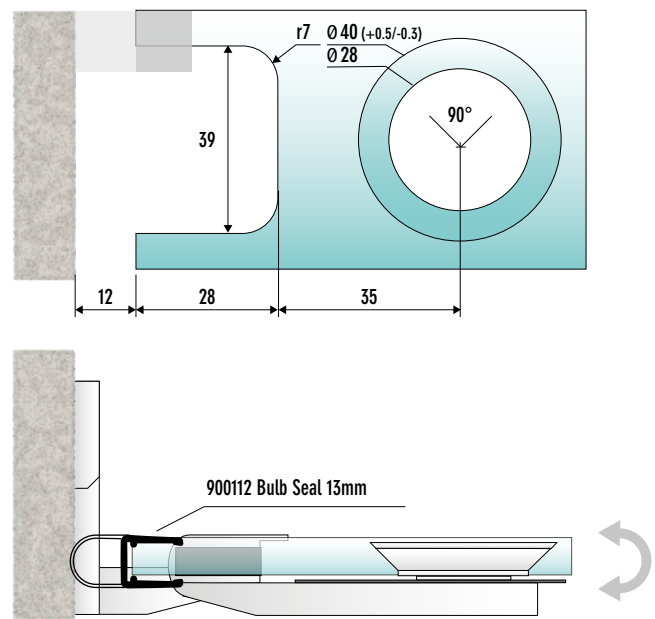
In-Swing out-Swing hinge glass-wall 90° with adjustable plate (inside-outside). Screwing in slotted hole with cover. Flush glass fixing with concealed screw connection.

| USAGE (WITH SEAL)



Adjustable Plate

| GLASS PROCESSING (DEDUCTION)

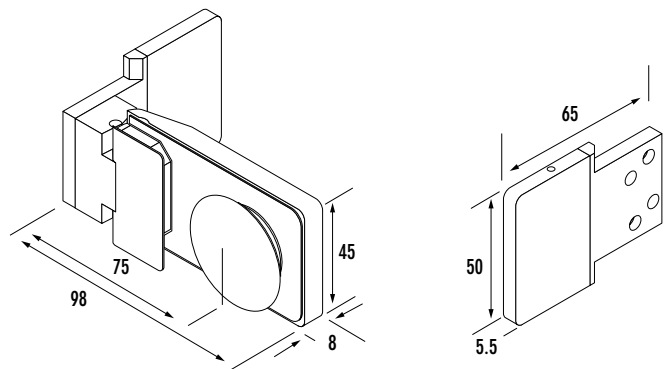


| TECHNICAL DATA:

Glasstype:	8 mm ESG
Maximum Weight:	40 kg using two hinges
Maximum Width:	900 mm
Material:	Solid Brass
Usage:	left/right
Adjustability in the cone:	± 2.0 mm
Adjustability in oblong hole:	± 4.0 mm
Surface:	bright chrome-plated
Product-Code.:	403001

| SEAL RECOMMENDED:

Product-Code.:	900112
Description:	Bulb Seal 13mm



403002 | In-Swing Out-Swing Hinge Glass-Glass 180°

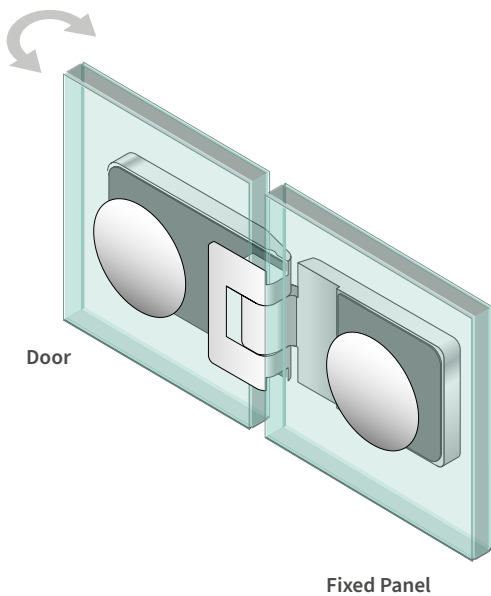


DESCRIPTION:

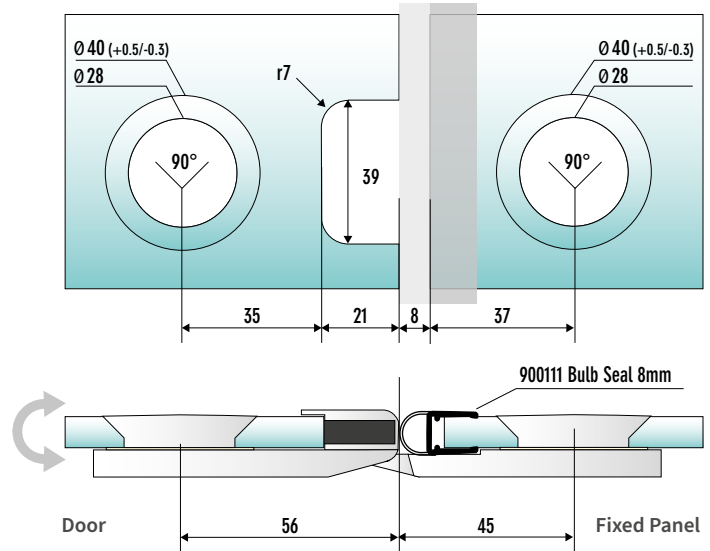
In-Swing out-Swing hinge glass-glass 180°. Flush-mounted glass with concealed screw connections. Continuous strip seal.

IN-SWING-OUT-SWING

| USAGE (WITH GAP)



| GLASS PROCESSING (DEDUCTION)

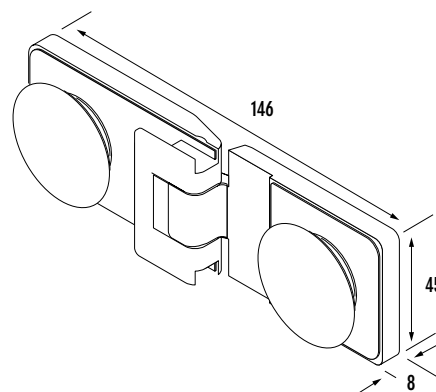


| TECHNICAL DATA:

Glasstype:	8 mm ESG
Maximum Weight:	40 kg using two hinges
Maximum Width:	900 mm
Material:	Solid Brass
Usage:	left/right
Adjustability in the cone:	± 2.0 mm
Surface:	bright chrome-plated
Product-Code.:	403002

| SEAL RECOMMENDED:

Product-Code.:	900111
Description:	Bulb Seal 8mm



403003 | In-Swing Out-Swing Hinge Glass-Glass 90°

IN-SWING-
OUT-SWING

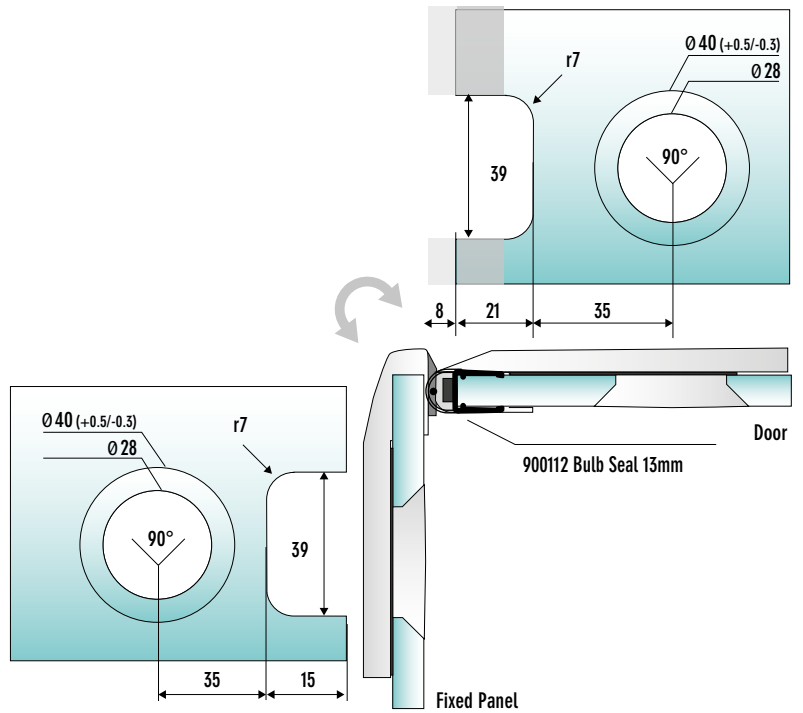
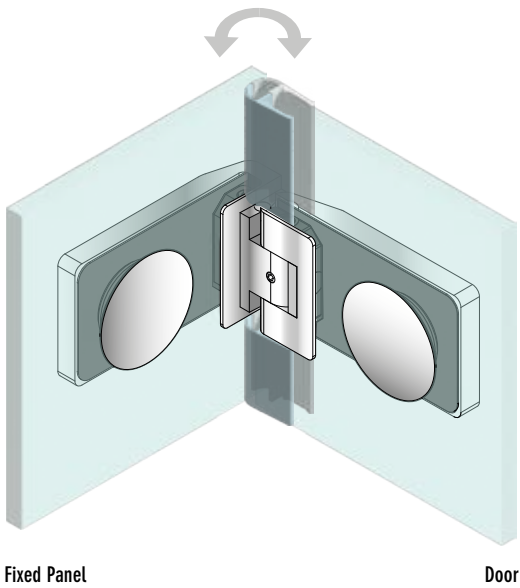


DESCRIPTION:

In-Swing out-Swing hinge glass-glass 90°. Flush-mounted glass with concealed screw connections.

| USAGE (WITH SEAL)

| GLASS PROCESSING (DEDUCTION)

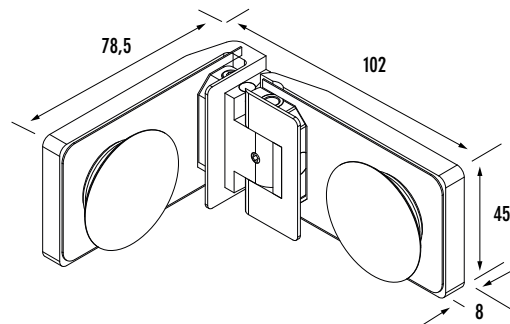


| TECHNICAL DATA:

Glasstype:	8 mm ESG
Maximum Weight:	40 kg using two hinges
Maximum Width:	900 mm
Material:	Solid Brass
Usage:	left/right
Adjustability in the cone:	± 2.0 mm
Adjustability in oblong hole:	± 4.0 mm
Surface:	bright chrome-plated
Product-Code.:	403003

| SEAL RECOMMENDED:

Product-Code.:	900112
Description:	Stripe Seal 13mm



403005 | IN-SWING OUT-SWING-LIFT'N SINK HINGE GLAS-WALL 90° left



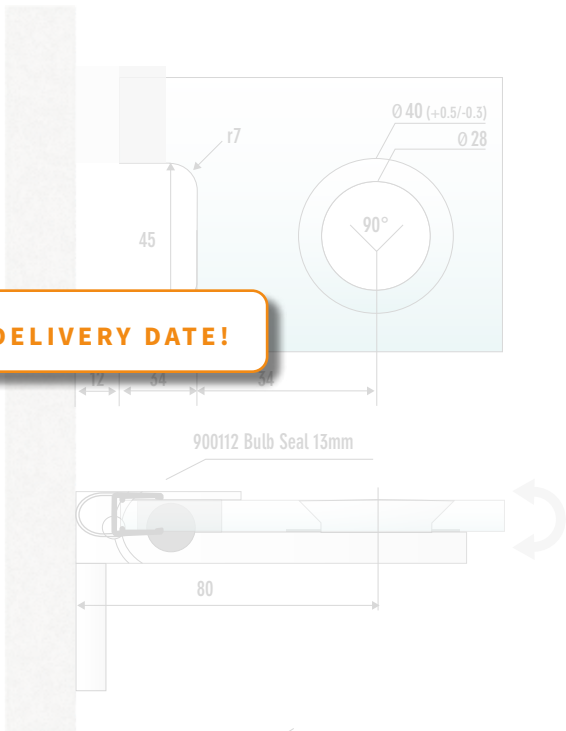
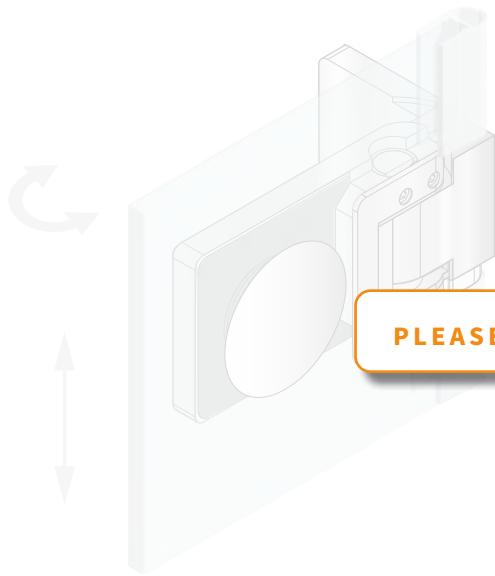
DESCRIPTION:

In-Swing Out-Swing - Lift'n Sink Hinge
 Glass-Wall 90° left.
 Lift-Off 3,5mm.
 Screwing in slotted hole with cover.
 Flush glass fixing with concealed
 screw connection.

USAGE (WITHOUT GAP)

GLASS PROCESSING (ABZUGSMASSE)

IN-SWING OUT-SWING/
LIFT'N-SINK



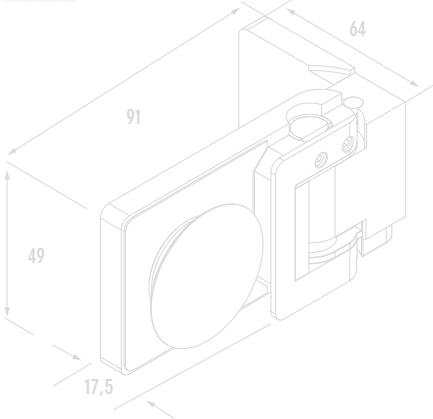
PLEASE ASK FOR DELIVERY DATE!

TECHNICAL DATA:

Glasstyp:	8 mm ESG
Maximum Weight:	40 kg using two hinges
Maximum Width:	1000 mm
Lift-Off:	3.5 mm
Material:	Solid Brass
Usage:	left
Adjustability in the cone:	± 2.5 mm
Surface:	bright chrome-plated
Product-Code.:	403005

SEAL RECOMMENDED:

Product-Code.:	900112
Description:	Bulb Seal 13mm



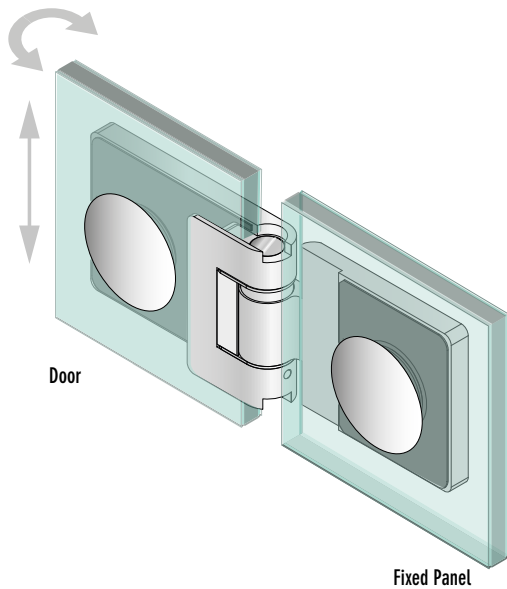
403007 | IN-SWING OUT-SWING-LIFT'N SINK HINGE GLASS-GLASS 180° left



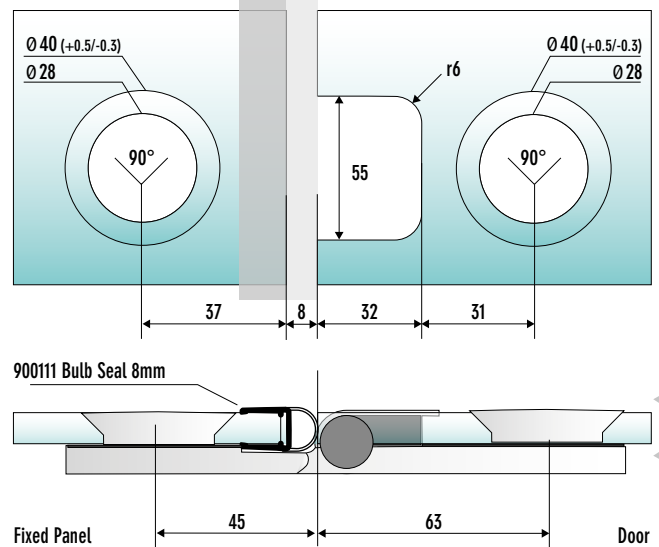
DESCRIPTION:

In-Swing Out-Swing - Lift'n Sink Hinge
Glass-Glass 180° left.
Lift-Off 3,5mm.
Flush-mounted glass with concealed screw connections.
Continuous strip seal.

USAGE (WITHOUT GAP)



GLASS PROCESSING (ABZUGSMASSE)



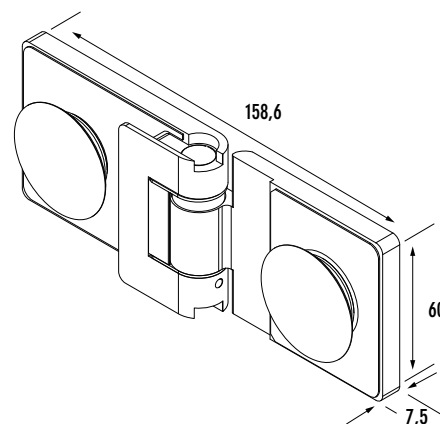
IN-SWING OUT-SWING/
LIFT'N-SINK

TECHNICAL DATA:

Glasstype:	8 mm ESG
Maximum Weight:	50 kg using two hinges
Maximum Width:	1000mm
Lift-Off:	3.5mm
Material:	Solid Brass
Usage:	left
Adjustability in the cone:	± 2.5 mm
Surface:	bright chrome-plated
Product-Code.:	403007

SEAL RECOMMENDED:

Product-Code.:	900111
Description:	Bulb Seal 8mm



403008 | IN-SWING OUT-SWING-LIFT'N SINK HINGE GLASS-WALL 90° right

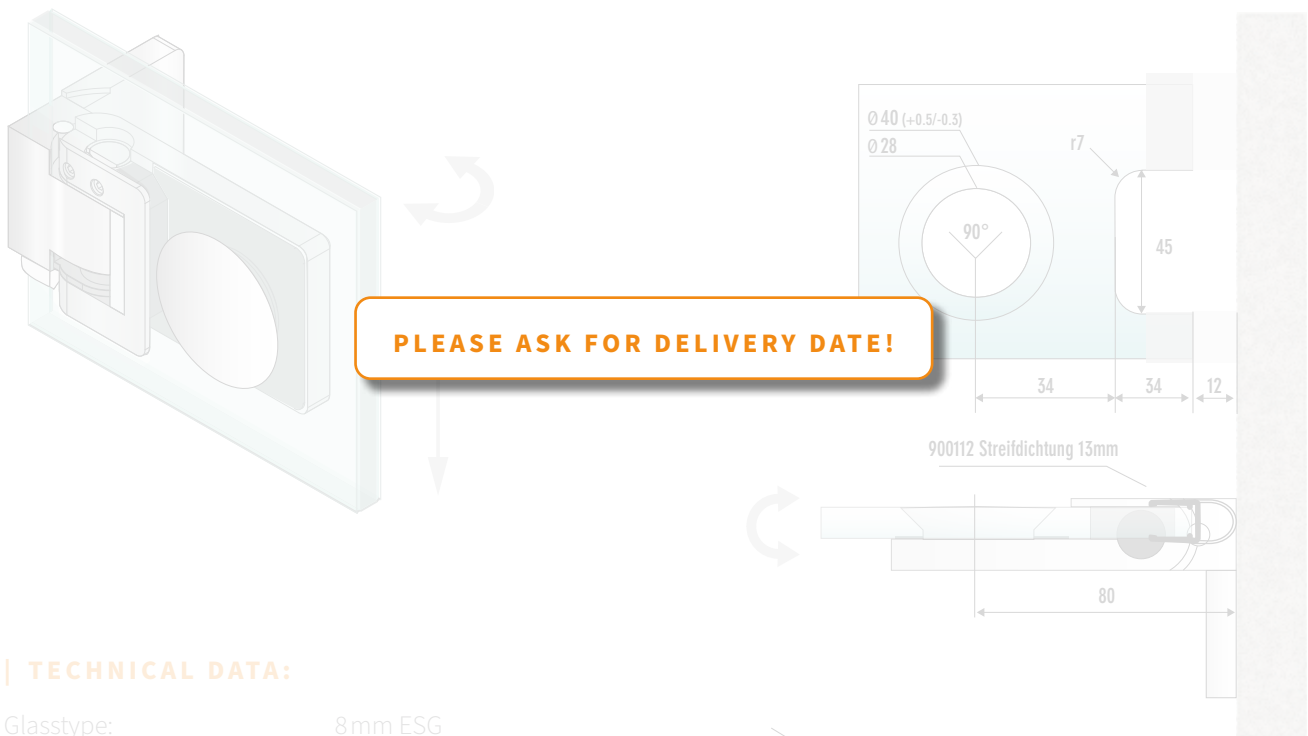


DESCRIPTION:

In-Swing Out-Swing - Lift'n Sink Hinge
Glass-Wall 90° right.
Lift-Off 3,5mm.
Screwing in slotted hole with cover.
Flush glass fixing with concealed
screw connection.

USAGE (WITHOUT GAP)

GLASS PROCESSING (ABZUGSMASSE)

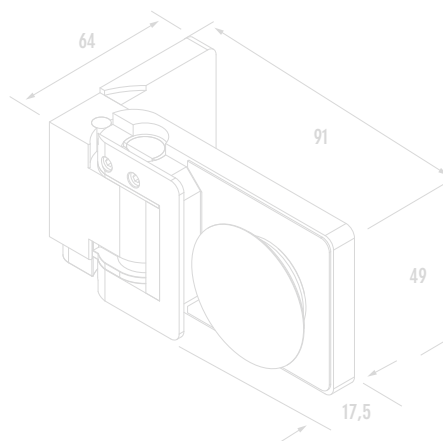


TECHNICAL DATA:

Glasstyp:	8 mm ESG
Maximum Weight:	40 kg using two hinges
Maximum Width:	1000 mm
Lift-Off:	3.5 mm
Material:	Solid Brass
Usage:	right
Adjustability in the cone:	± 2.5 mm
Surface:	bright chrome-plated
Product-Code.:	403008

SEAL RECOMMENDED:

Product-Code.:	900112
Description:	Stripe Seal 13mm



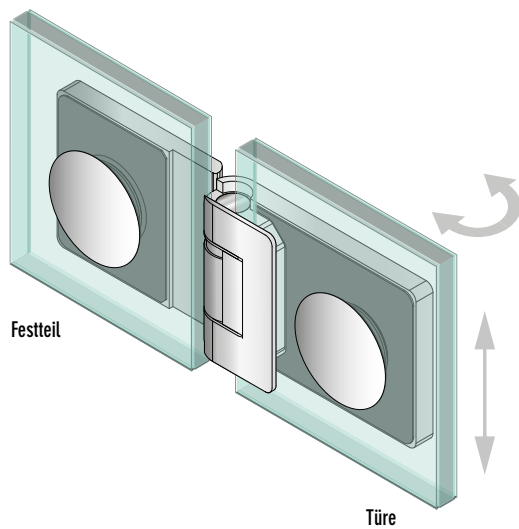
403010 | IN-SWING OUT-SWING-LIFT'N SINK HINGE GLASS-GLASS 180° right



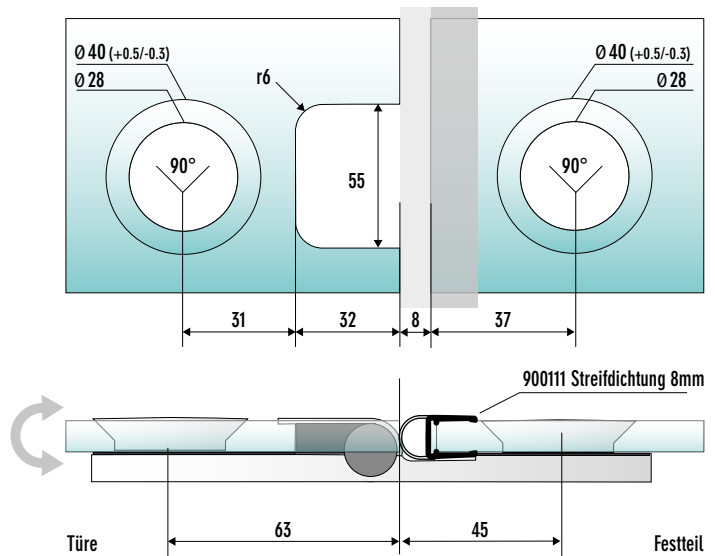
DESCRIPTION:

In-Swing Out-Swing - Lift'n Sink Hinge
Glass-Glass 180° right.
Lift-Off 3,5mm.
Flush-mounted glass with concealed screw
connections.
Continuous strip seal.

USAGE (WITHOUT GAP)



GLASS PROCESSING (ABZUGSMASSE)



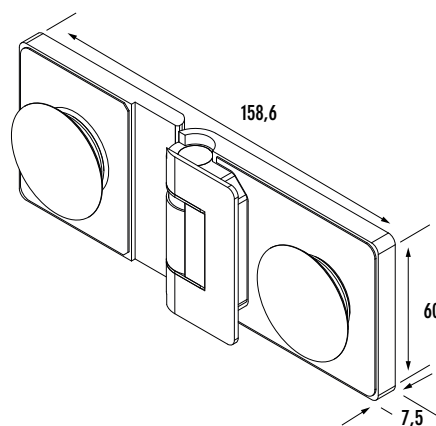
IN-SWING OUT-SWING/
LIFT'N-SINK

TECHNICAL DATA:

Glasstyp:	8 mm ESG
Maximum Weight:	50 kg using two hinges
Maximum Width:	1000 mm
Lift-Off:	3.5 mm
Material:	Solid Brass
Usage:	right
Adjustability in the cone:	± 2.5 mm
Surface:	bright chrome-plated
Product-Code.:	403010

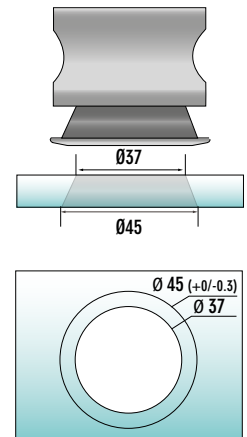
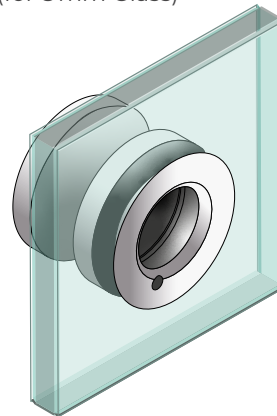
SEAL RECOMMENDED:

Product-Code.:	900111
Description:	Stripe Seal 8mm

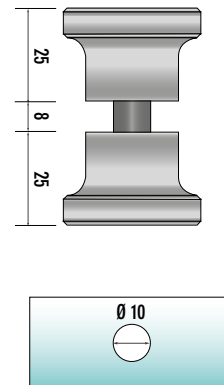
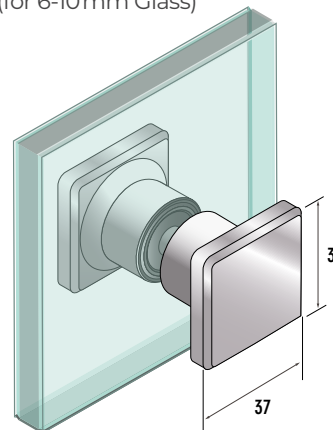


KNOBS / HOLDER / ACCESSORIES

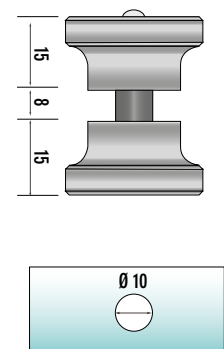
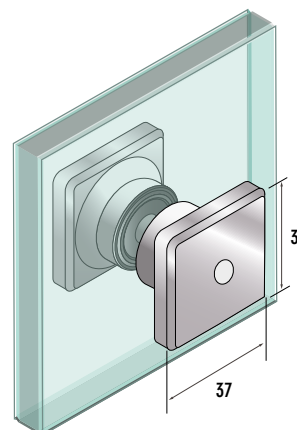
404001 | DOOR KNOB ROUND Flush-mounted (for 8 mm Glass)



404002 | DOOR KNOB DOUBLE-SIDED square (for 6-10 mm Glass)



404003 | DOOR KNOB DOUBLE-SIDED square with stop damper for folded Doors (for 6-8 mm Glass)

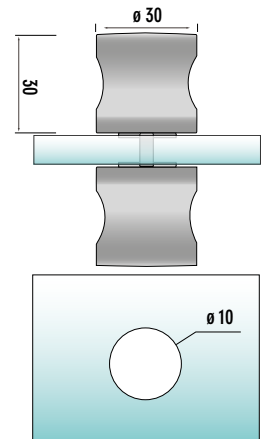
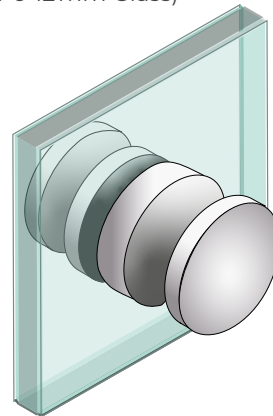


KNOBS / HOLDER / ACCESSORIES

484001 | DOOR KNOB RUND double-sided Ø30 (for 6-12mm Glass)*



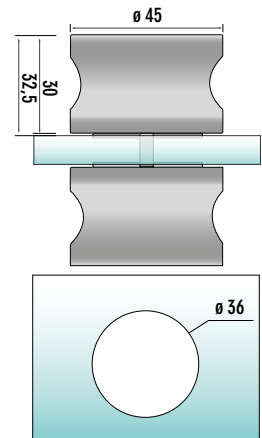
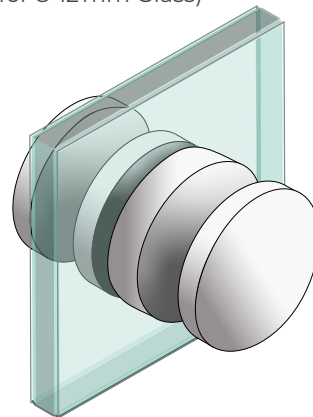
* Material: Solid Brass, bright chrome-plated ; intern. Production



484002 | DOOR KNOB RUND double-sided Ø45 (for 8-12mm Glass)*

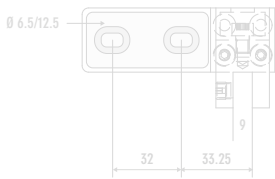
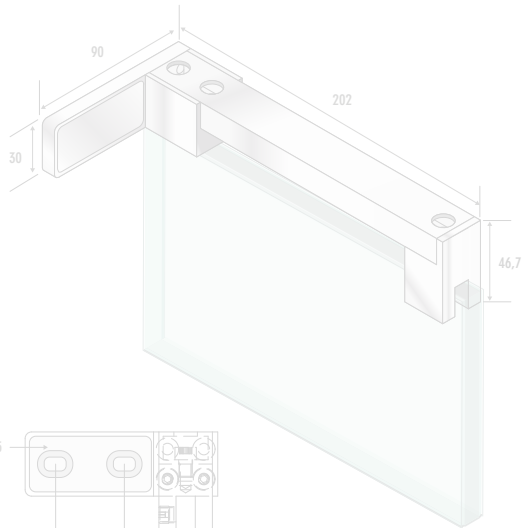


* Material: Solid Brass, bright chrome-plated ; intern. Production

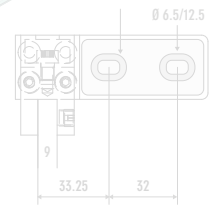
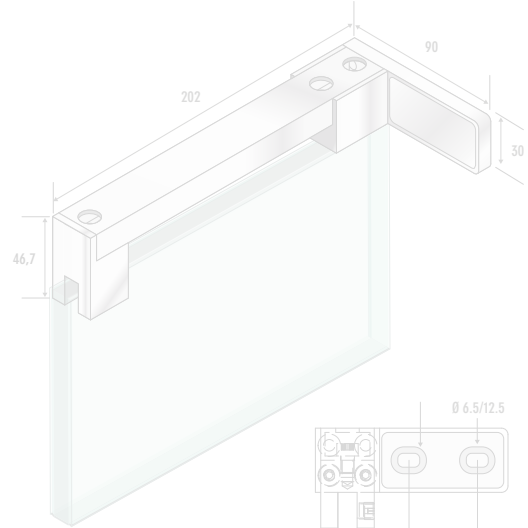


KNOBS / HOLDER / ACCESSORIES

405030 | STABILISER 200x90 left

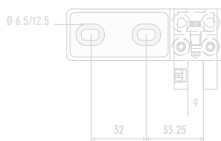
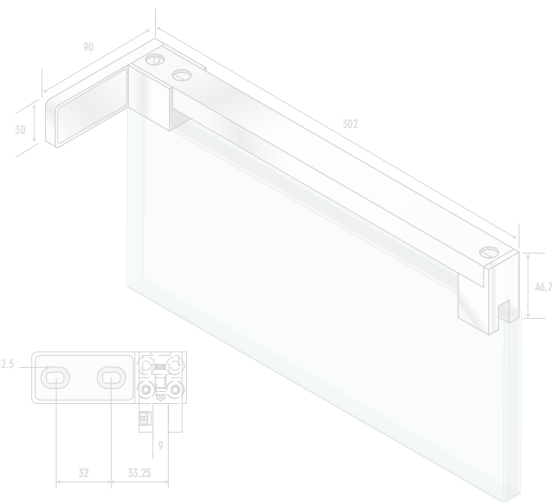


405032 | STABILISER 200x90 right

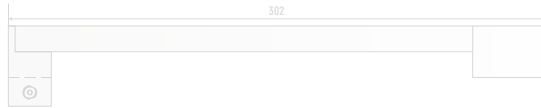
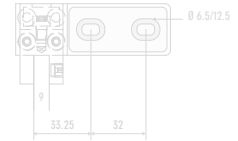
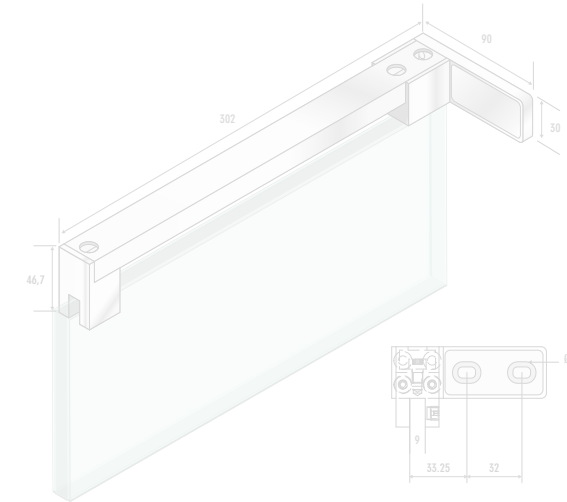


CURRENTLY NOT AVAILABLE!

405031 | STABILISER 300x90 left



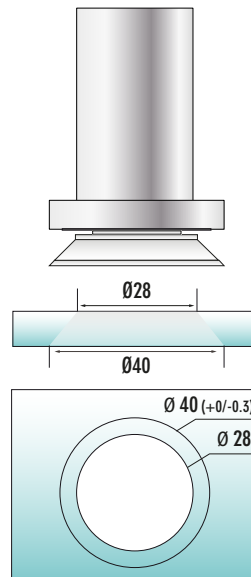
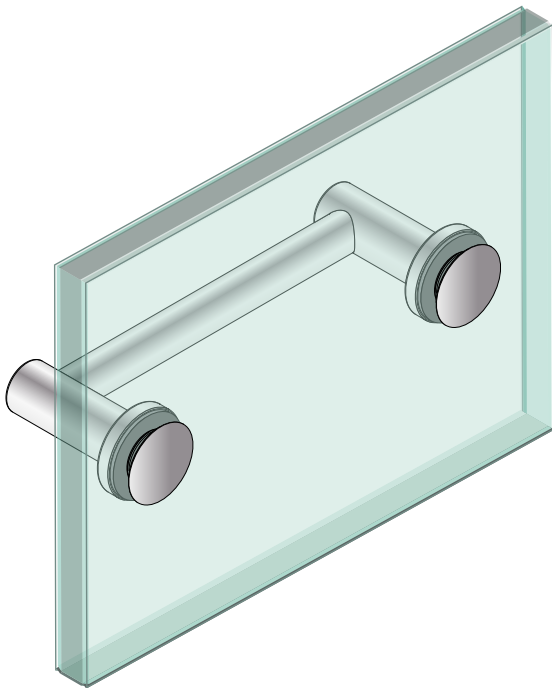
405033 | STABILISER 300x90 right



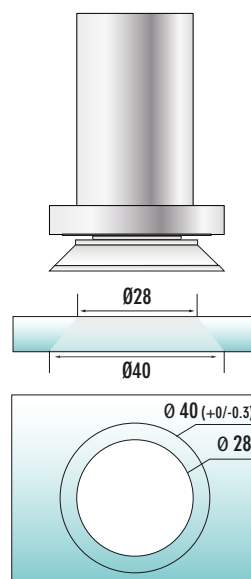
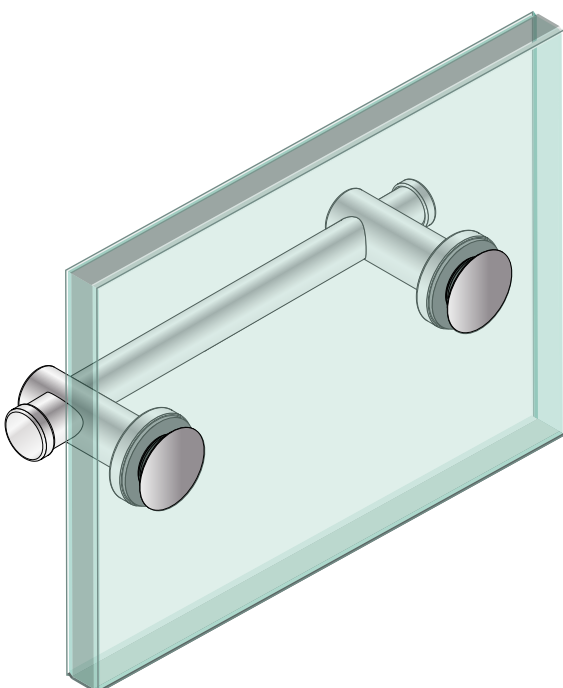
ACCESSORIES

KNOBS / HOLDER / ACCESSORIES

406003 | SET TOWEL RAIL closed (1000 mm can be shortened)

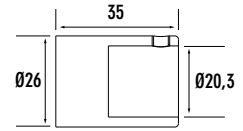
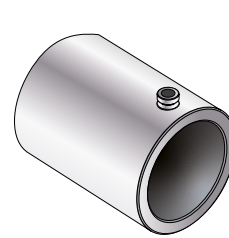


406004 | SET TOWEL RAIL open (1000 mm can be shortened)



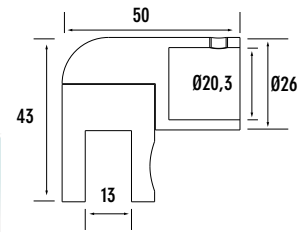
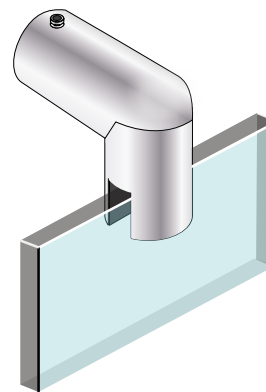
KNOBS / HOLDER / ACCESSORIES

485001 | WALL CONNECTOR*



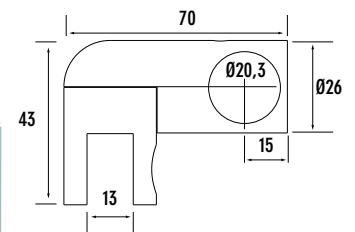
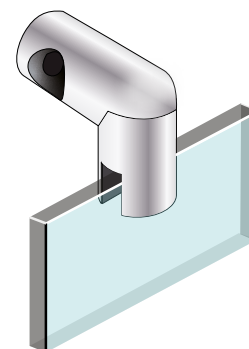
* Material: Solid Brass, bright chrome-plated ; intern. Production

485002 | GLASS CONNECTOR (for 8-10 mm Glass)*



* Material: Solid Brass, bright chrome-plated ; intern. Production

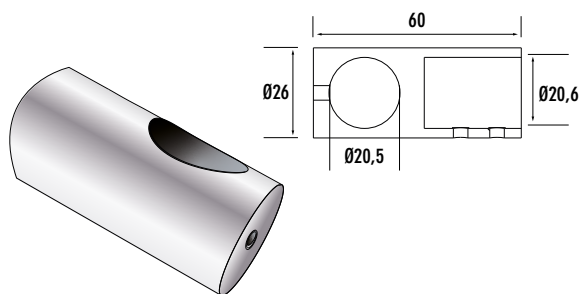
485003 | T-GLASS CONNECTOR* (for 8-10 mm Glass)*



* Material: Solid Brass, bright chrome-plated ; intern. Production

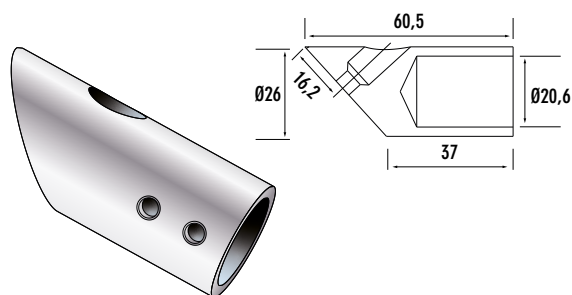
KNOBS / HOLDER / ACCESSORIES

485004 | T-EXTENSION *



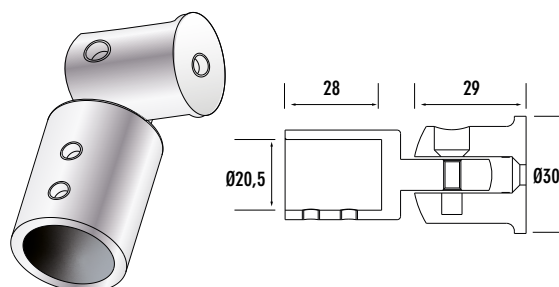
* Material: Solid Brass, bright chrome-plated ; intern. Production

485005 | WALL CONNECTOR 45°*



* Material: Solid Brass, bright chrome-plated ; intern. Production

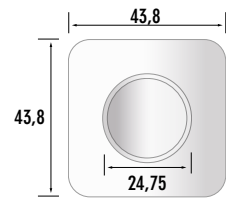
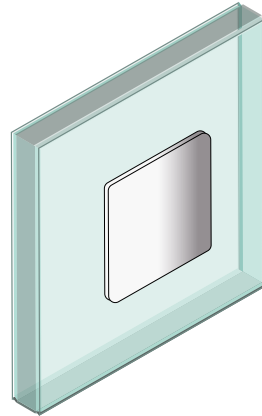
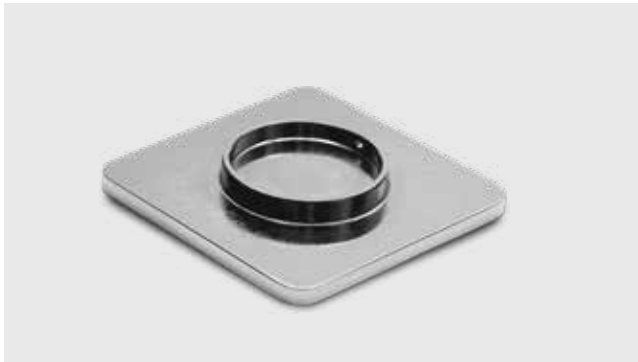
485006 | WALL CONNECTOR* (adjustable)



* Material: Solid Brass, bright chrome-plated ; intern. Production

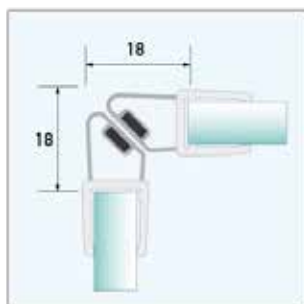
KNOBS / HOLDER / ACCESSORIES

406010 | COVER PLATE bright chrome-plated

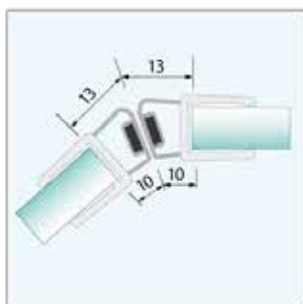


KNOBS / HOLDER / ACCESSORIES

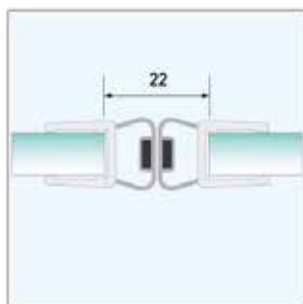
DEDUCTION FOR SEALS



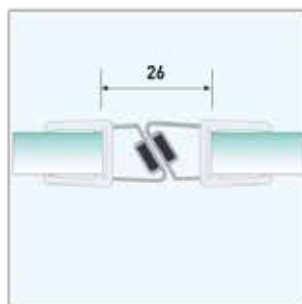
900101 | MAGNETIC PROFILE 90°



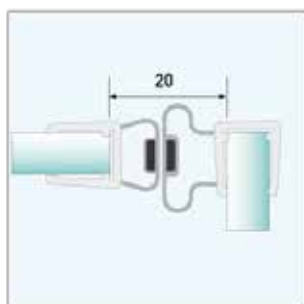
900102 | MAGNETIC PROFILE 135°



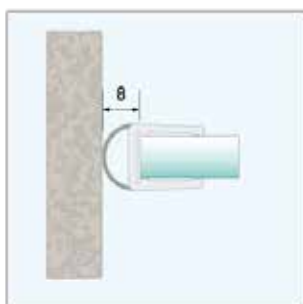
900103 | MAGNETIC PROFILE 1-180°



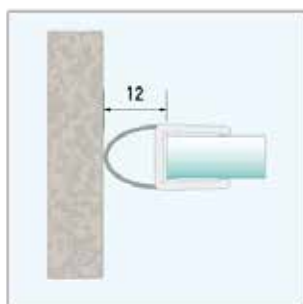
900104 | MAGNETIC PROFILE 2-180°



900105 | MAGNETIC PROFILE 1-90°



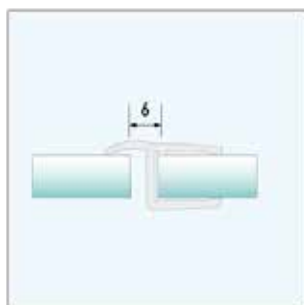
900111 | BULB SEAL 8mm



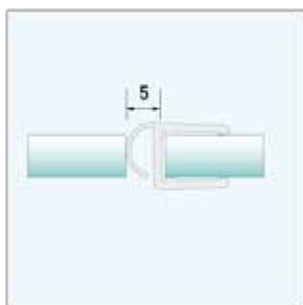
900112 | BULB SEAL 13mm



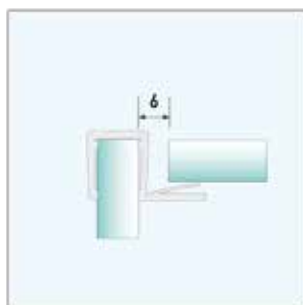
900121 | JAMB SEAL 135°



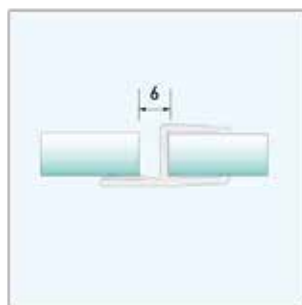
900122 | JAMB SEAL 180°



900125 | SEAL WITH SEALING LIP



900131 | STRIKE SIDE SEAL 90°



900132 | STRIKE SIDE SEAL 180°



900141 | BOTTOM WIPE W. DRIP RAIL LONG

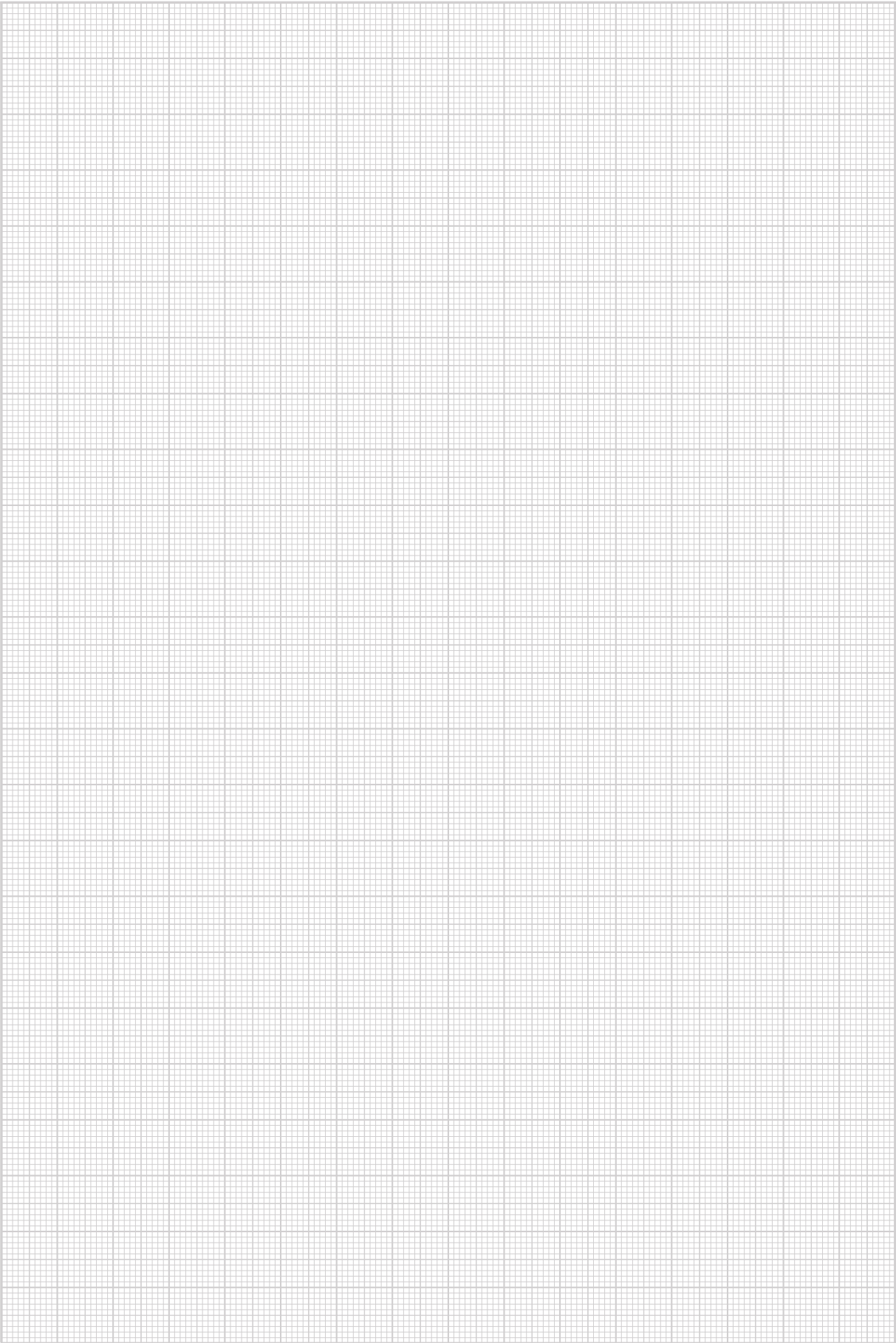


900142 | BOTTOM WIPE W. DRIP RAIL SHORT



900143 | BOTTOM WIPE W. DRIP RAIL AND BALLOON

Notes





SHOWERFITTING TECHNOLOGY

POSEIDON

Flexotec GmbH
Im Öschle 1
D-78736 Epfendorf
T: +49-7404-914 440
F: +49-7404-914 383
info@flexotec.de
www.flexotec.de